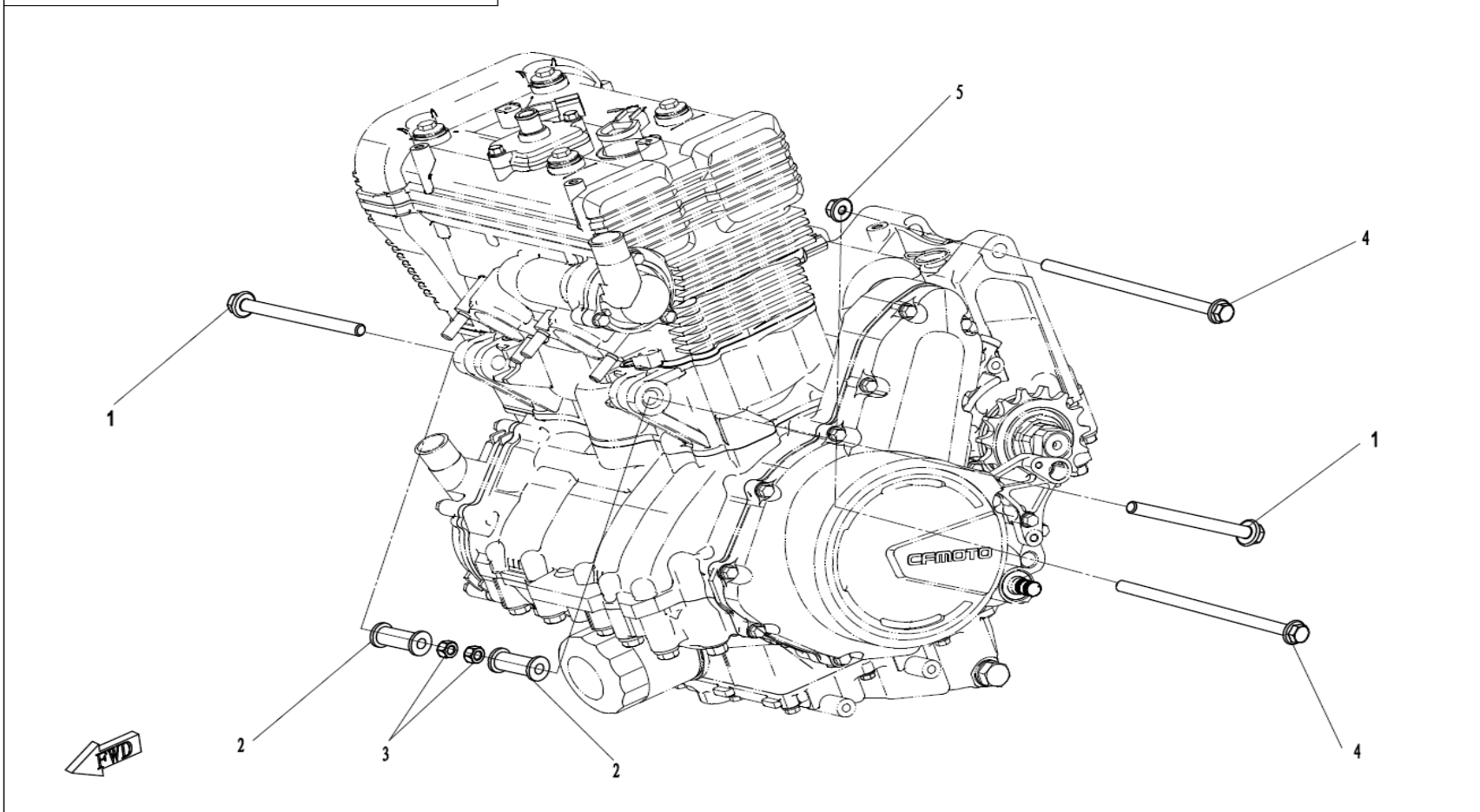


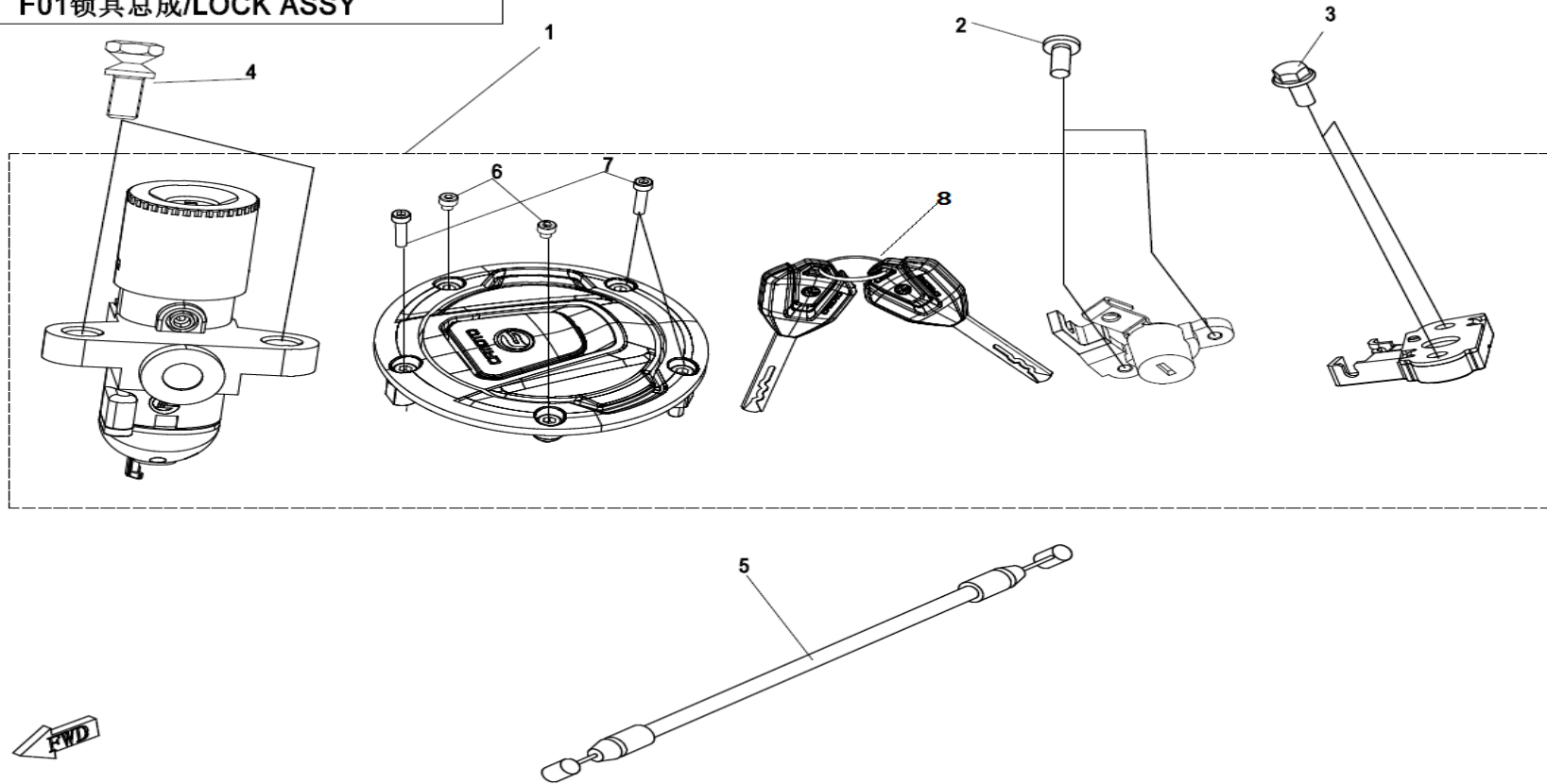
F00 发动机安装附件/ ENGINE FITTINGS



F00 发动机安装附件 ENGINE FITTINGS

Item No.	Parts Number	Parts Name(EN)	Parts Name(CN)	Qty	Specification	Remark(s)
01	30006-102110110	BOLT M10x1.25x110	螺栓	2	M10x1.25x110	
02	A000-000201	BUSHING, ENGINE	发动机安装套	2		
03	30203-102110	NUT M10x1.25	螺母	2	M10x1.25	
04	6GU#-030002-6000	ENGINE MOUNTING SHAFT	发动机安装轴	2		
05	30204-102810	NUT M10x1.25	螺母	2	M10x1.25	

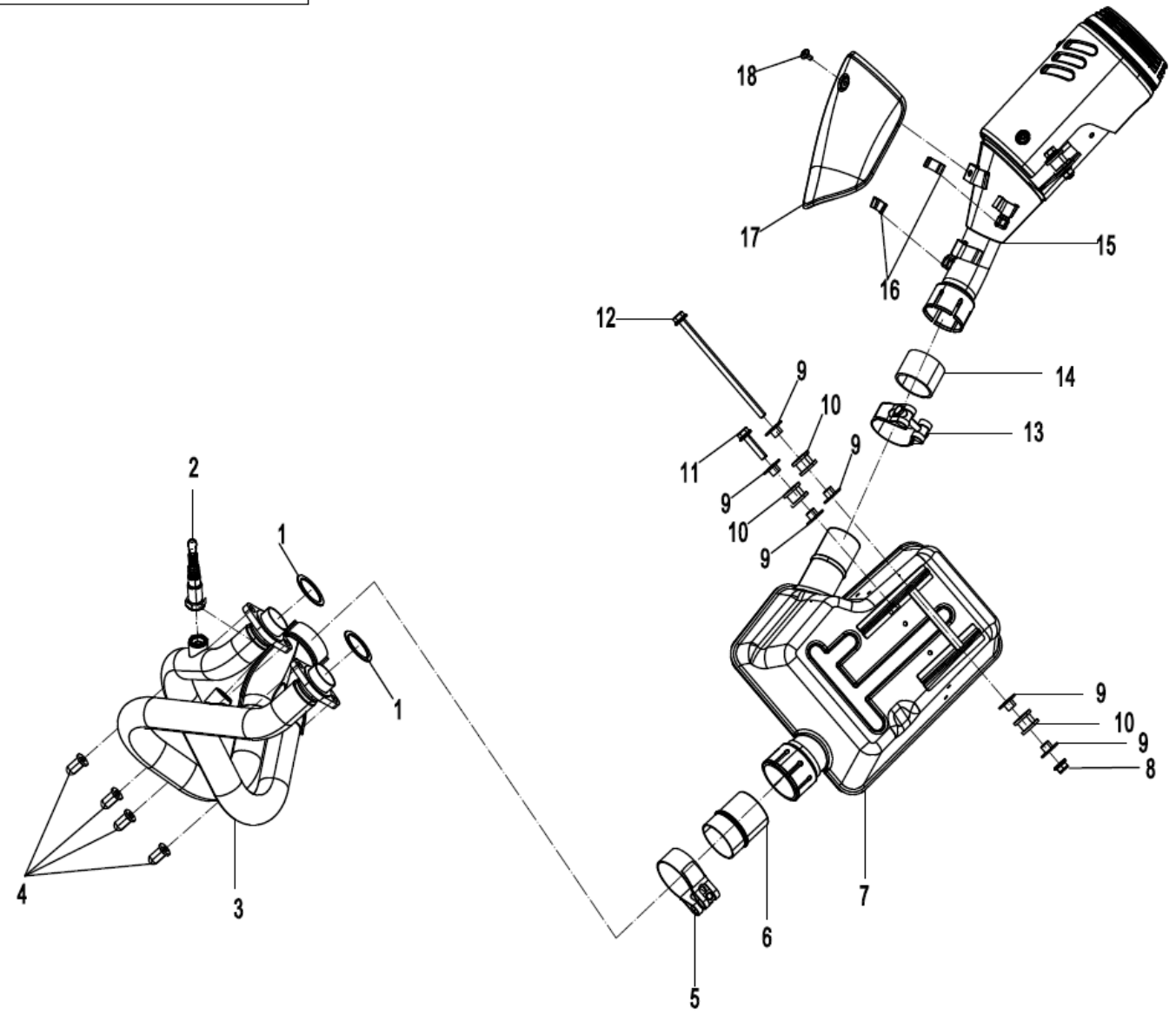
F01锁具总成/LOCK ASSY



F01 锁具 LOCK KIT

Item No.	Parts Number	Parts Name(EN)	Parts Name(CN)	Qty	Specification	Remark(s)
01	6GUV-011000-6002	LOCK KIT	锁具组合	1		
02	30102-050012810	SCREW M5x12	螺钉	2	M5x12	
03	30006-060016810	BOLT M6x16	螺栓	2	M6x16	
04	6KJ0-010001	BOLT	断头螺栓	2		
05	6GU#-010010-6000	SEAT CABLE	坐垫拉索	1		
06	30102-050008900	INNER HEX SCREW M5x8	内六角圆柱头螺钉	2	M5x8	
07	30102-050025900	INNER HEX SCREW M5x25	内六角圆柱头螺钉	3	M5x25	
08	6KMV-011020-B001	KEY	钥匙	2		

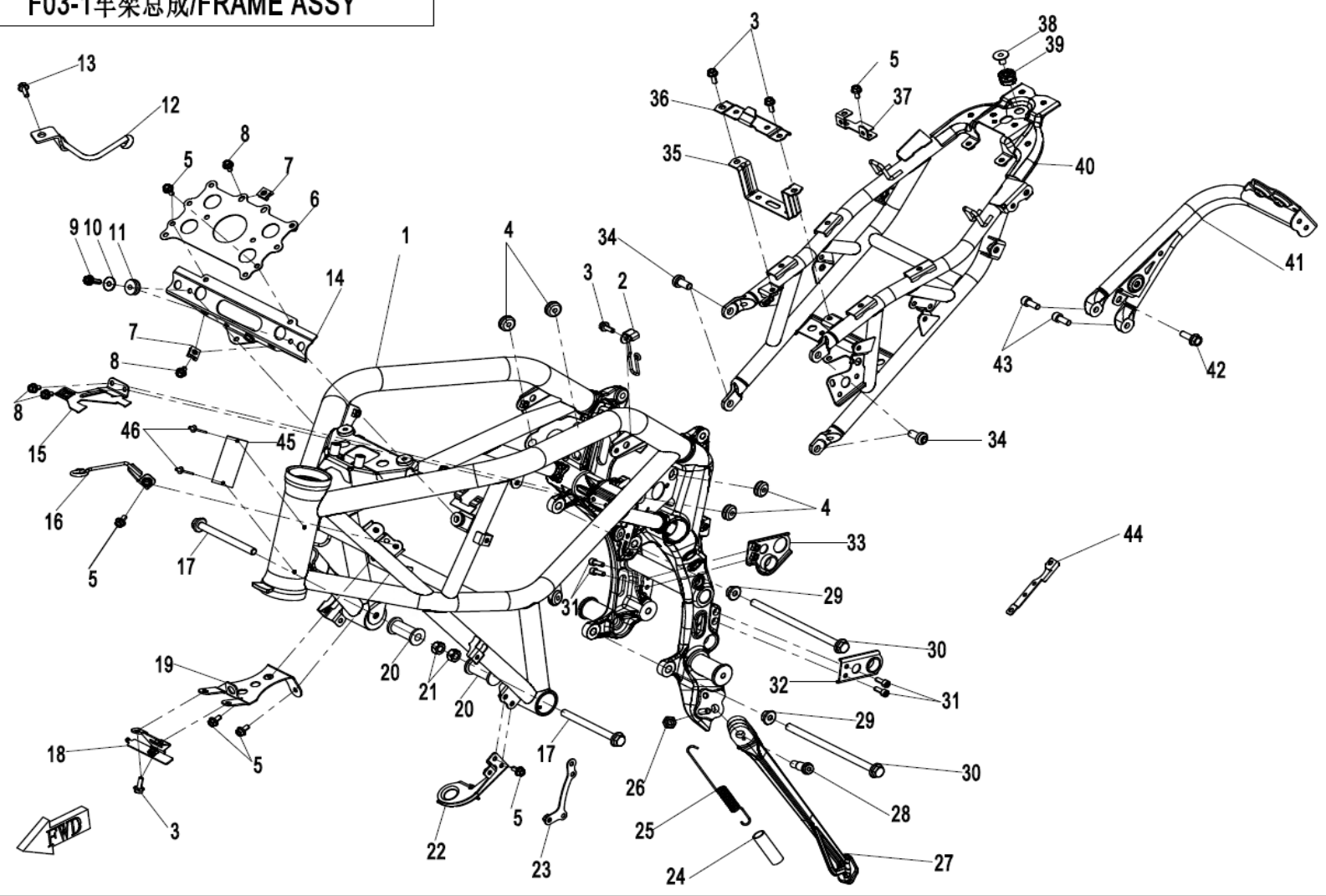
F02 消声器总成/MUFFLER COMP



F02 消声器 MUFFLER

Item No.	Parts Number	Parts Name(EN)	Parts Name(CN)	Qty	Specification	Remark(s)
01	0700-022012	GASKET, EXHAUST PIPE	排气管衬垫	2		
02	0HU0-176000	OXYGEN SENSOR	氧传感器	2		
03	6GU#-021100-6100	EXHAUST PIPE ASSY	排气管焊接组件	1		
04	8010-020001	NUT M8, MUFFLER JOINT	消声器接头螺母M8	4	M8	
05	6L30-021010	CALMP 1	抱箍组件I	1		
06	6L30-021001	SEAL SLEEVE 1, GRAPHITE	石墨密封套I	1		
07	6GUV-021200-7001	FRONT MUFFLER	前筒体焊接组件	1		
08	30204-080810	NUT M8	螺母	1	M8	
09	6GU#-020002-6001	BUSHING	衬套	6		
10	A000-020004	DAMPER, MUFFLER	消声器缓冲套	3		
11	30006-080035810	BOLT M8x35	螺栓	1	M8x35	
12	6GU#-020001-6000	MUFFLER MOUNTING SHAFT	消声器安装轴	1		
13	6GU#-021500-6002	CLAMP 2	卡箍组件II	1		
14	6GU#-021003-6000	SEAL SLEEVE 2, GRAPHITE	石墨密封套II	1		
15	6GUV-021300-8000	TAIL MUFFLER	尾筒体焊接组件	1		
16	6GU#-021005-6000	GUARD RUBBER SLEEVE	护罩橡胶套	2		
17	6GUV-021004-7000	GUARD, MUFFLER	消声器护罩	1		
18	6NTA-040202	INNER HEX SCREW M5x12	内六角螺钉M5×12	1	M5x12	

F03-1车架总成/FAME ASSY

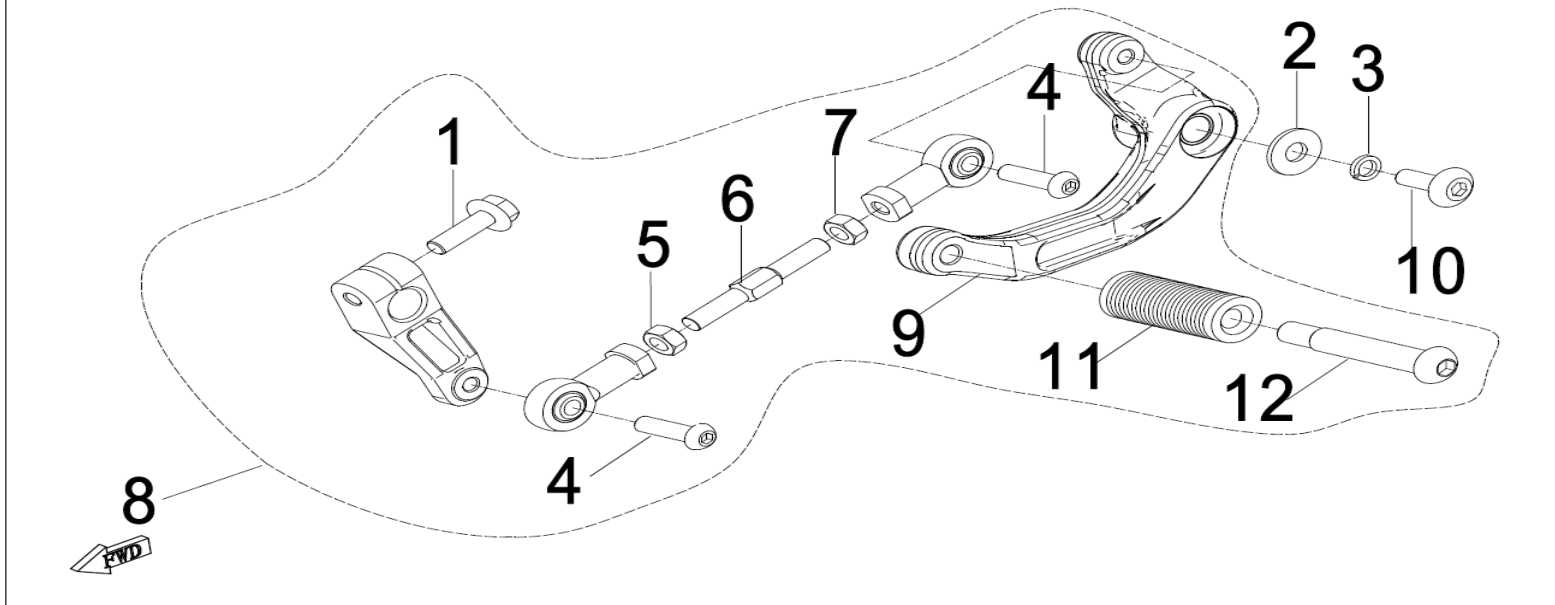


F03-1 车架 FRAME

Item No.	Parts Number	Parts Name(EN)	Parts Name(CN)	Qty	Specification	Effective
01	6GUV-031000-6004-0BY00	FRAME	主车架焊接组件	1	NANO BLACK	
02	6GU#-030110-6000	WIRE CLIP, REAR BRAKE FLUID HOSE	后制动油管固定线夹	1		
03	30006-060016870	BOLT M6x16	螺栓	5	M6x16	
04	6GUV-043801-8000	DAMPING RUBBER SLEEVE	护罩缓冲胶套	4		
05	30006-060010810	BOLT M6x10	螺栓	8	GB5789 M6x10 TRIVALENT CHROMIUM	
06	6GU#-030020-6000	BRACKET, ECU	ECU安装支架	1		
07	8030-040800-00001	NUT CLIP M6	M6螺母夹	3	M6	
08	30006-060012870	BOLT M6x12	螺栓	10	M6x12	
09	30006-060020870	BOLT M6x20	螺栓	2	M6x20	
10	6GU#-030150-6001	LIMIT BRACKET	T型衬套	2		
11	9010-160101	RUBBER MAT, HEADLIGHT	前照灯胶垫	2		
12	6GU#-030130-6000	BRACKET, CLUTCH CABLE	离合拉锁支架	1		
13	30006-050012810	BOLT	螺栓	1	M5x12	
14	6GU#-030050-6000	BRACKET, AIR FILTER	空滤器安装支架	1		
15	6GU#-030006-6000	BRACKET, ROLL-OVER VALVE	倾倒阀安装支架	1		
16	6GUV-030140-6002	LIMIT BRACKET	限位支架	1		2020/12/28
17	30006-102110110	BOLT M10x1.25x110	螺栓	2	M10x1.25x110	
18	6GUV-030060-8000	LOCK BRACKET, FRONT BRAKE FLUID HOSE	前制动油管固定支架	1		
19	6GU#-030040-6000	BRACKET, ABS	ABS安装支架	1		
20	A000-000201	BUSHING, ENGINE	发动机安装套	2		
21	30203-102110	NUT M10x1.25	螺母	2	M10x1.25	
22	6GU#-030090-6000	BRACKET, RADIATOR	散热器安装支架	1		
24	A000-030210	SPRING, SIDE STAND	边撑弹簧组合	1		
25	A000-030004	SPRING COLLAR, SIDE STAND	边撑弹簧护套	1		
26	30208-102810	NUT M10x1.25	螺母	1	M10x1.25	
27	6GUV-030005-8000	SIDE BRACKET	侧支架	1		
28	6GU#-030008-6000	BOLT, SIDE BRACKET	侧支架螺栓	1		
29	30204-102810	NUT M10x1.25	螺母	2	M10x1.25	
30	6GU#-030002-6000	ENGINE MOUNTING SHAFT	发动机安装轴	2		
31	30102-060016810	SCREW	螺钉M6x16	4		
32	6GU#-030070-6000	LH BRACKET, MUFFLER	消声器左安装支架	1		
33	6GU#-030080-6000	RH BRACKET, MUFFLER	消声器右安装支架	1		

34	6GU#-030007-6000	MOUNTING BOLT, VICE FRAME	副车架安装螺栓	4		
35	6GU#-030010-6000	BRACKET, FUEL TANK	油箱安装支架	1		
36	6GU#-030001-6000	LIMIT BRACKET, SEAT	座垫限位支架	1		
37	6GU#-030120-6000	BRACKET, ROLL-OVER SENSOR	侧倾传感器安装支架	1		
38	6KM0-120010	T-TYPE BUSHING ASSY	T型衬套组合	1		
39	5020-031001	RUBBER SLEEVE, FRONT LICENSE BRACKET	前牌照支架橡胶胶套	1		
40	6GUV-032000-8000-0BY00	SUB FRAME ASSY	副车架焊接组件	1		
40	6GUV-032000-8001-0BY00	VICE FRAME	副车架焊接组件	1	NANO BLACK	
41	6GU#-030200-6000	BRACKET, REAR FENDER	后挡泥板支架焊接组件	1		
42	30006-080025810	BOLT	螺栓	1	M8x25	
43	30102-080020870	SCREW	螺钉M8×20	2		
44	6GU#-030160-6000	BRACKET, FENDER GUARD	挡泥罩支架	1		
45	6FIA-190012	VIN PLATE	车辆铭牌	1		
46	30902-0420820	BLIND RIVET	抽芯铆钉	2	4.2x8	

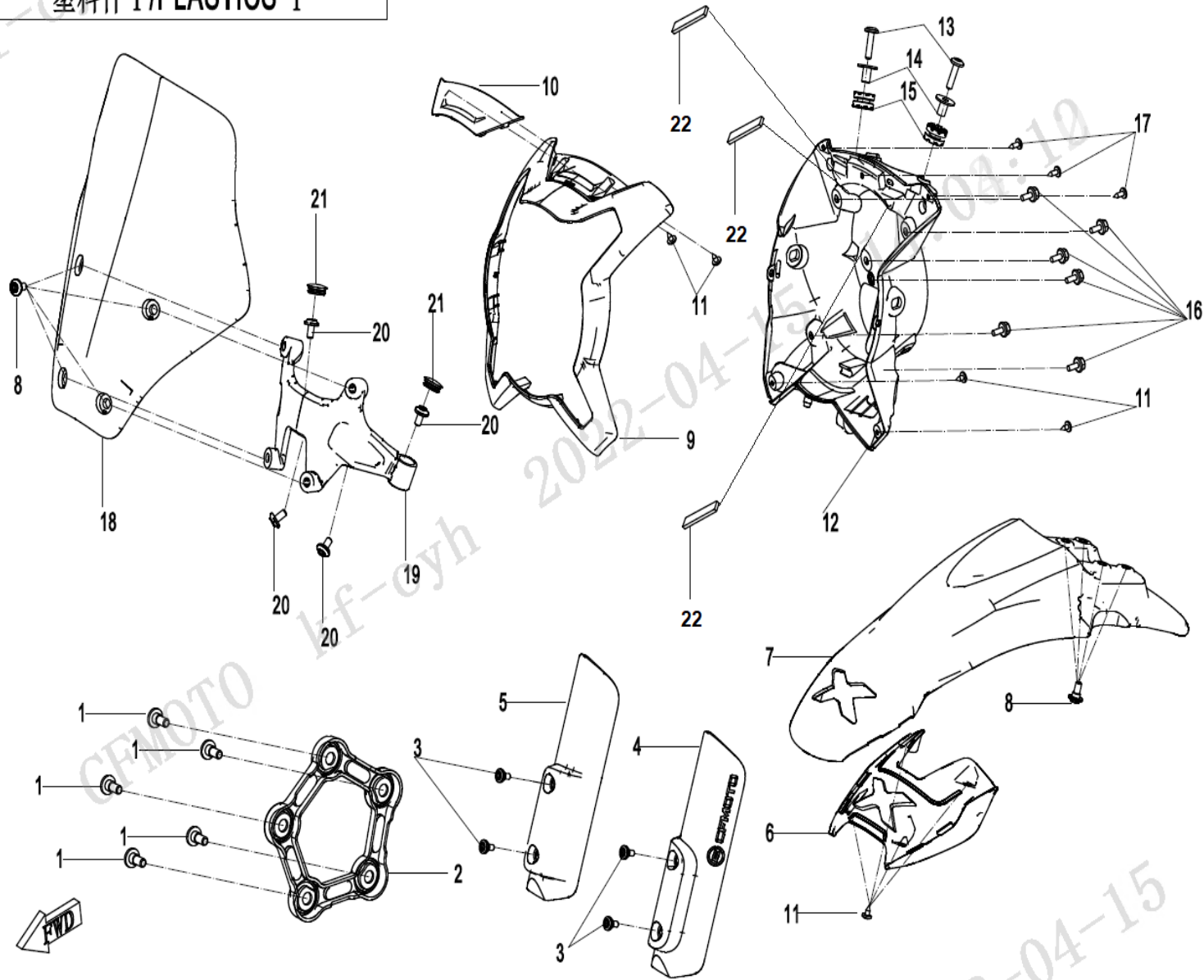
变档杆总成/GEARSHIFT LEVER



F03-2 变档杆 GEARSHIFT LEVER

Item No.	Parts Number	Parts Name(EN)	Parts Name(CN)	Qty	Specification	Effective
01	30006-060020870	BOLT M6x20	螺栓	1	M6x20	
02	30305-060112	WASHER	垫圈	1	6	
03	30303-060112	WASHER	垫圈	1	6	
04	30121-060020870	SCREW M6x20	螺钉	2		
05	30200-060870	NUT	螺母	1		
06	6GU#-140102-6000	CONNECTING ROD	连杆	1		
07	30200-06087L	NUT M6	螺母	1	M6	
08	6GUV-141000-8000	GEARSHIFT CONNECTING ASSY	变档杆连接组合	1		
09	6GU#-140110-6000	PEDAL ASSY, GEARSHIFT ROD	变档杆踏板组合	1		
10	6KM#-040702-8000	INNER HEX SCREW M6x12	内六角螺钉M6×12	1		
11	0700-065404	RUBBER SLEEVE, FOOT PEDAL	踏杆胶套	1		
12	6NQ#-140104-6002	BOLT, PEDAL	踏杆螺栓	1		

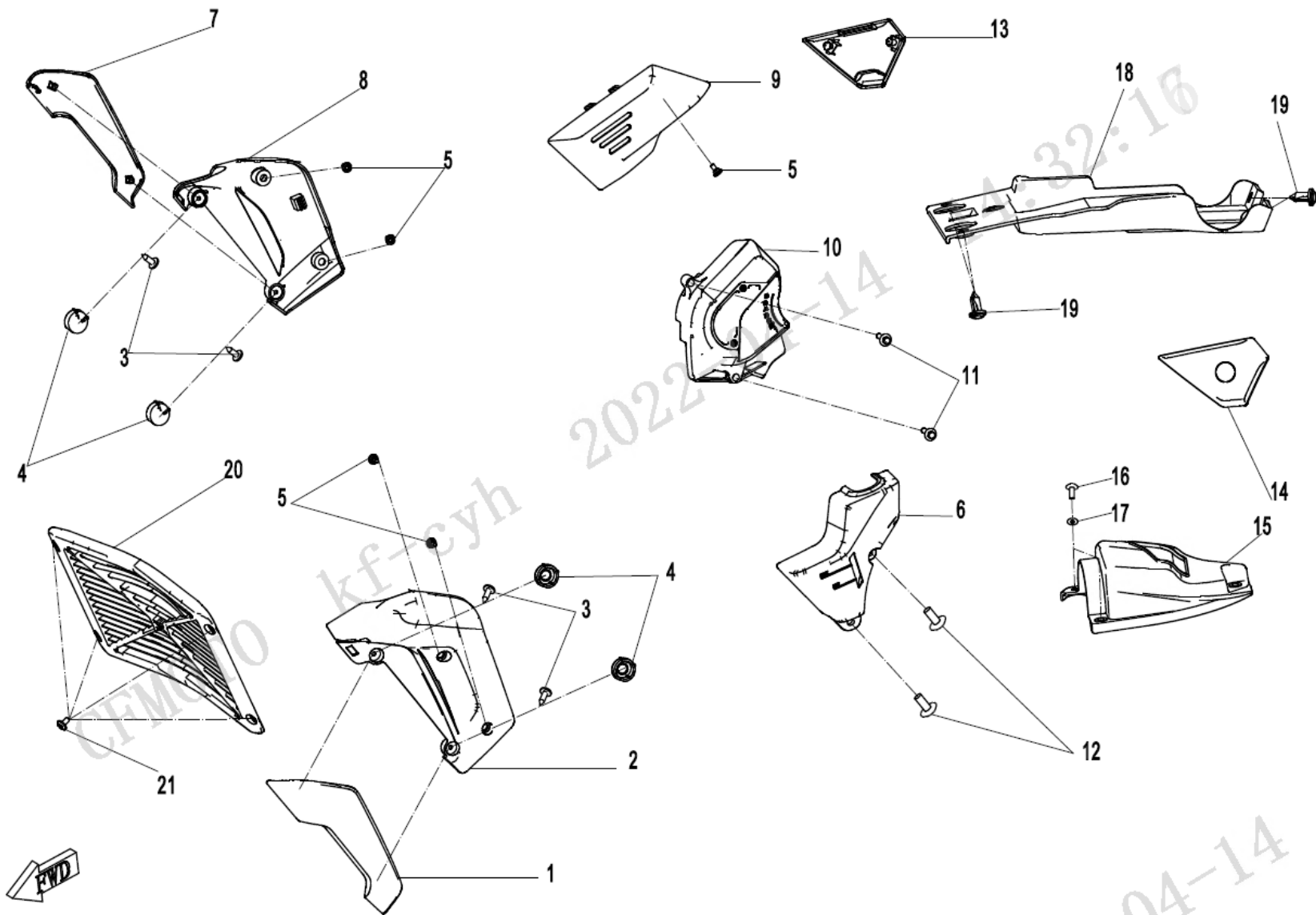
塑料件 I / PLASTICS I



F04-1 塑料件1 PLASTICS1

Item No.	Parts Number	Parts Name(EN)	Parts Name(CN)	Qty	Specification	Effective
01	7030-220113	BOLT M8x20	凸台螺栓M8X20	5	M8x20	
02	6GU#-040009-6000	DECO GUARD, RIM	轮辋装饰罩	1		
03	6KM#-040082-8000	SCREW KIT M5	M5组合台阶螺钉	4		
04	6GUV-043201-8000	FRONT LH SHOCK ABSORBER GUARD	前左减震护罩	1		
05	6GUV-043301-8000	FRONT RH SHOCK ABSORBER GUARD	前右减震护罩	1		
06	6GUV-043402-8000	DECO COVER, FRONT FENDER	前挡泥板装饰盖	1		
07	6GUV-043401-8000-0F000	FRONT FENDER	前挡泥板	1	AURORA BLUE	
08	6WWV-046601-5000	INNER HEX STEPPED SCREW M6x14	M6×14内六角台阶螺钉	8		
09	6GU#-040033-6000-OHD00	FRONT GUARD, HEADLIGHT	大灯前罩	1	GALAXY GREY	
10	6GU#-040013-6000-0D100	UPPER DECO PLATE, HEADLIGHT	大灯上装饰板	1	MATTE MIST SILVER BLACK	
11	30110-420095010	SELF-TAPPING SCREW ST4.2x9.5	自攻螺钉	8	ST4.2x9.5	
12	6GU#-040032-6000	REAR GUARD, HEADLIGHT	大灯后罩	1		
13	6GU#-000201-6000	INNER HEX SCREW M6x25	内六角螺钉M6×25	2		
14	6GU#-000202-6000	T SHAPE BUSHING KIT	T型衬套组合	2		
15	5020-031001	RUBBER SLEEVE, FRONT LICENSE BRACKET	前牌照支架橡胶胶套	2		
16	6KM#-040702-8000	INNER HEX SCREW M6x12	内六角螺钉M6×12	6		
17	30110-420130070	SELF-TAPPING SCREW ST4.2x13-C-H	自攻螺钉	3	ST4.2x13-C-H	
18	6GUV-040201-8000	WINDSHIELD	挡风玻璃	1		
19	6GUV-040101-8000	BRACKET, WINDSHIELD	挡风玻璃支架	1		
20	6GUV-030008-8000	BOLT, WINDSHIELD BRACKET	挡风支架螺栓	4		
21	6GUV-040301-8000	PLUG, WINDSHIELD BRACKET	挡风支架胶塞	2		
22	6KM#-160420-8001	SPONGE MAT	长方形海绵垫	3		

塑料件 II / PLASTICS II

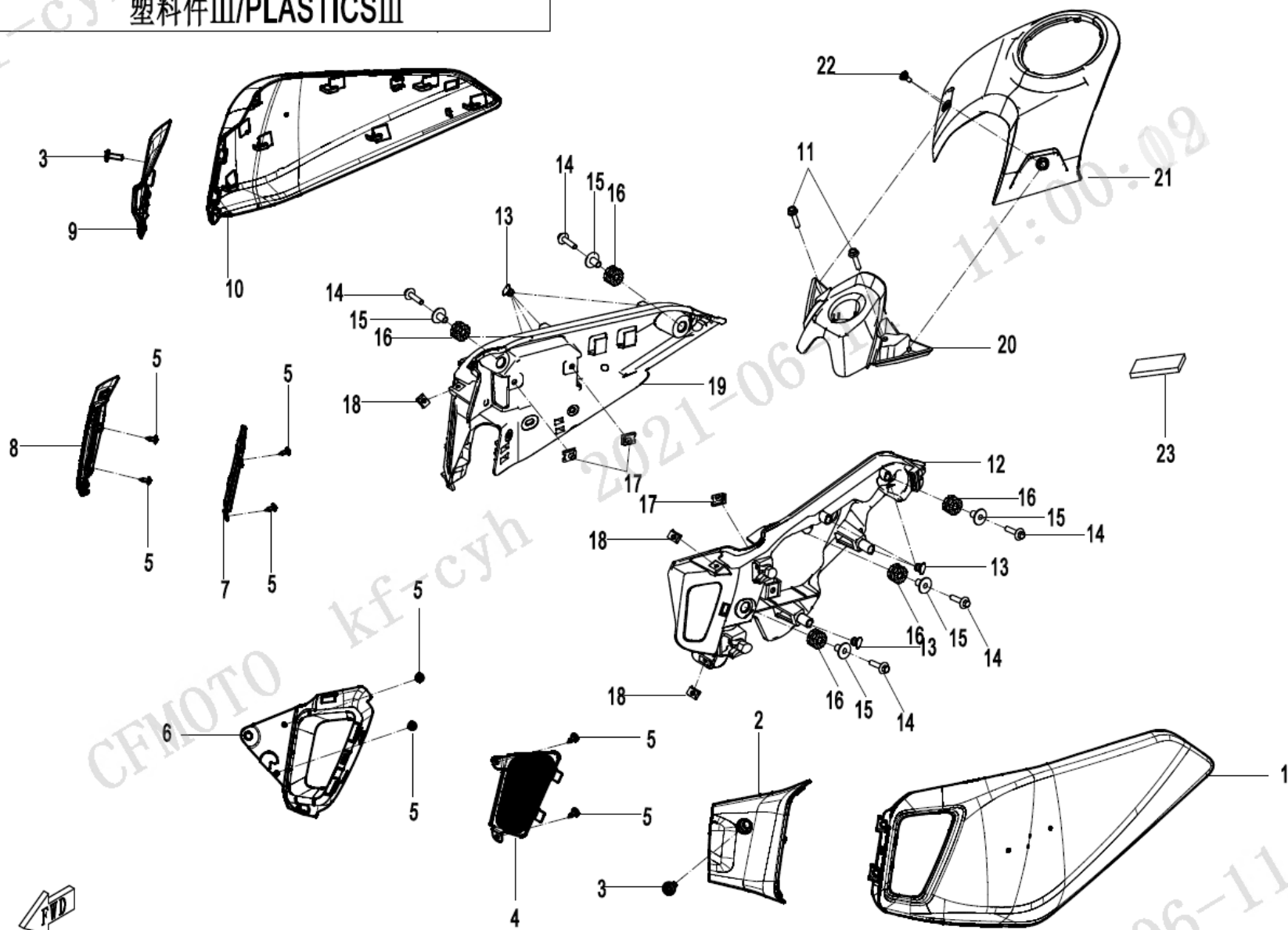


EWD

F04-2 塑料件2 PLASTICS2

Item No.	Parts Number	Parts Name(EN)	Parts Name(CN)	Qty	Specification	Effective
01	6GU#-040017-6000-0VR00	LH FRONT GUARD, RADIATOR	散热器左前护罩	1	ULTRA SILVER	
02	6GU#-040016-6000	LH REAR GUARD, RADIATOR	散热器左后护罩	1		
03	30110-421130010	SCREW	自攻螺钉	4	ST4.2x13	
04	6GU#-040021-6000	RUBBER MAT, RADIATOR GUARD	散热器护罩缓冲胶垫	4		
05	6KM#-040082-8000	SCREW KIT M5	M5组合台阶螺钉	5		
06	6GU#-040031-6000	CAP, RESERVOIR	副水箱小盖	1		
07	6GU#-040019-6000-0VR00	RH FRONT GUARD, RADIATOR	散热器右前护罩	1	ULTRA SILVER	
07	6GU#-040019-6000-0VL00	RH FRONT GUARD, RADIATOR	散热器右前护罩	1	PAINTED ULTRA SILVER	
08	6GU#-040018-6000	RH REAR GUARD, RADIATOR	散热器右后护罩	1		
09	6GU#-040035-6000	CANISTER COVER	碳罐盖	1		
10	6GU#-040042-6000	SPROCKET GUARD	链轮罩	1		
11	0010-021017-0010	BOLT M6x25	螺栓	2	M6x25	
12	30006-060025810	BOLT	螺栓	2	M6x25	
13	6GU#-040055-6000-0D100	RH DECO STRAP	右装饰条	1	MATTE MIST SILVER BLACK	
14	6GU#-040054-6000-0D100	LH DECO STRAP	左装饰条	1	MATTE MIST SILVER BLACK	
15	6GU#-040056-6000	WATER-PROOF PLATE, AIR FILTER	空滤器挡水板	1		
16	30006-050016810	BOLT	螺栓	2	M5x16	2019/07/01
17	30303-050042	WASHER	垫圈	2	5	
18	6GU#-040071-6000	FENDER GUARD	挡泥罩	1		
19	9060-040310	PLASTIC CLIPS	塑料卡组合	4		
20	6GUV-043501-8000	RADIATOR GUARD	散热器护罩	1		
21	6WWW-047102-5000	INNER HEX SCREW M5x14	M5×14内六角螺钉	4		

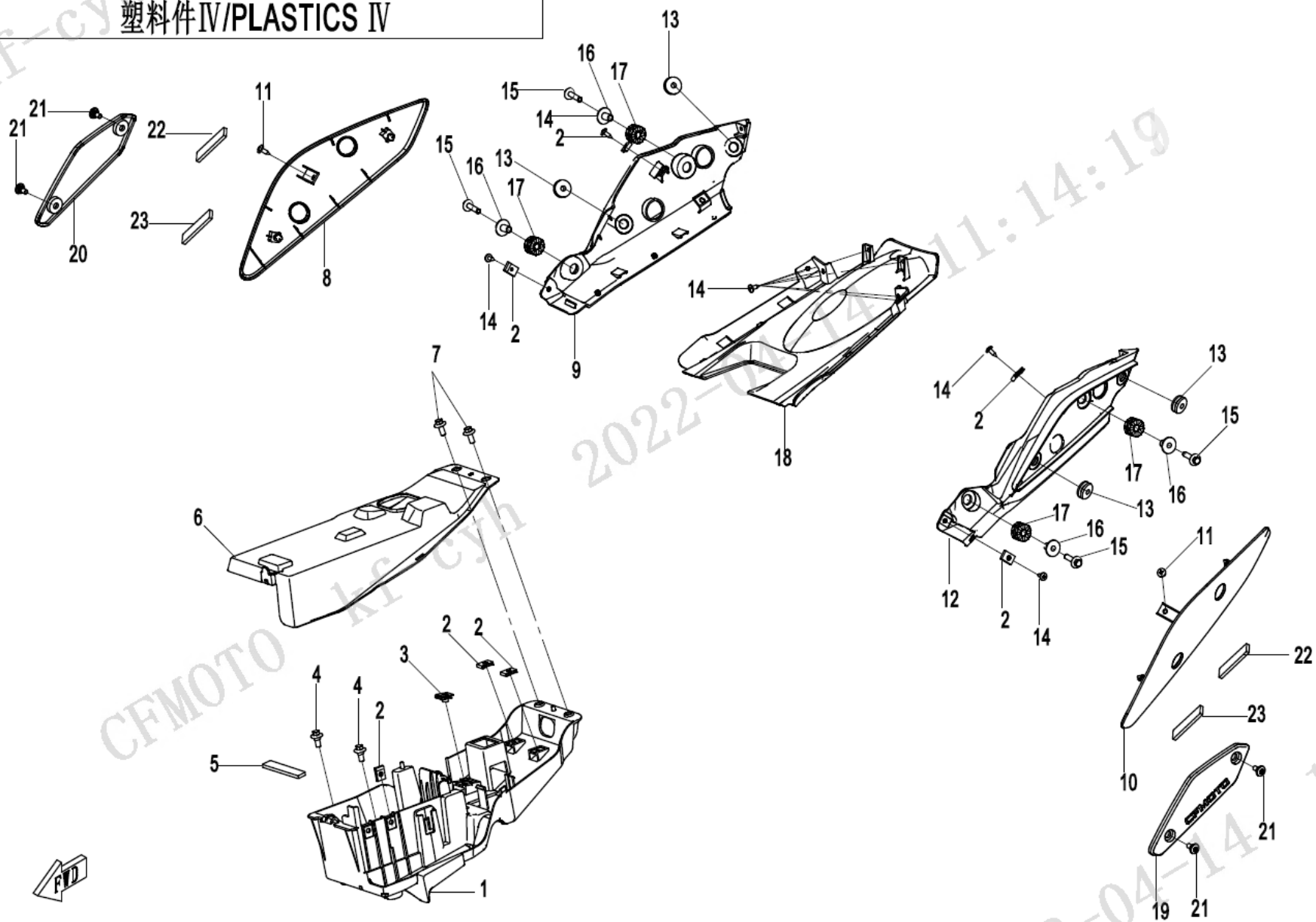
塑料件III/PLASTICS III



F04-3 塑料件3 PLASTICS3

Item No.	Parts Number	Parts Name(EN)	Parts Name(CN)	Qty	Specification	Effective
01	6GUV-042600-8000	DECAL, FUEL TANK LH DECO GUARD	油箱左装饰罩贴花组合	1		
02	6GUV-041101-7000-0D100	LH FRONT DECO PLATE, FUEL TANK	油箱左前装饰护板	1	MATTE MIST SILVER BLACK	
03	6NQ#-000205-6001	MOUNTING SCREW, CHAIN GUARD	链条护卡安装螺钉	2		
04	6GUV-041701-7000	LH VENTILATION GRID	左通风网格	1		
05	30110-420130070	SELF-TAPPING SCREW ST4.2x13-C-H	自攻螺钉	8	ST4.2x13-C-H	
06	6GUV-041301-7000-0D100	LH DEFLECTOR, FUEL TANK	油箱左通风板	1	MATTE MIST SILVER BLACK	
07	6GUV-041801-7000	RH VENTILATION GRID	右通风网格	1		
08	6GUV-041401-7000-0D100	RH DEFLECTOR, FUEL TANK	油箱右通风板	1	MATTE MIST SILVER BLACK	
09	6GUV-041201-7000-0D100	RH FRONT DECO PLATE, FUEL TANK	油箱右前装饰护板	1	MATTE MIST SILVER BLACK	
10	6GUV-042700-8000	DECAL, FUEL TANK RH DECO GUARD	油箱右装饰罩贴花组合	1		
11	6KM#-040082-8000	SCREW KIT M5	M5组合台阶螺钉	2		
12	6GUV-042401-7000	LH INNER DECO GUARD, FUEL TANK	油箱左内装饰罩	1		
13	6KM#-100002-8000	PLUG	离合手柄胶塞	8		
14	30006-060025810	BOLT	螺栓	6	M6x25	
15	6KM0-120010	T-TYPE BUSHING ASSY	T型衬套组合	6		
16	5020-031001	RUBBER SLEEVE, FRONT LICENSE BRACKET	前牌照支架橡胶胶套	6		
17	8030-040800-00001	NUT CLIP M6	M6螺母夹	3	M6	
18	8010-000002	TOOL	夹板ST4.2	3	ST4.2	
19	6GUV-042501-7000	RH INNER DECO GUARD, FUEL TANK	油箱右内装饰罩	1		
20	6GU#-040015-6000	DECO COVER, POWER LOCK	电源锁装饰盖	1		
21	6GU#-040014-6000-0D100	UPPER GUARD, FUEL TANK	油箱上护盖	1	MATTE MIST SILVER BLACK	
22	6L30-050020	SCREW KIT M5x12	组合台阶螺钉	2	M5x12	
23	6KM#-040066-8001	SPONGE STRAP	海棉条	2		

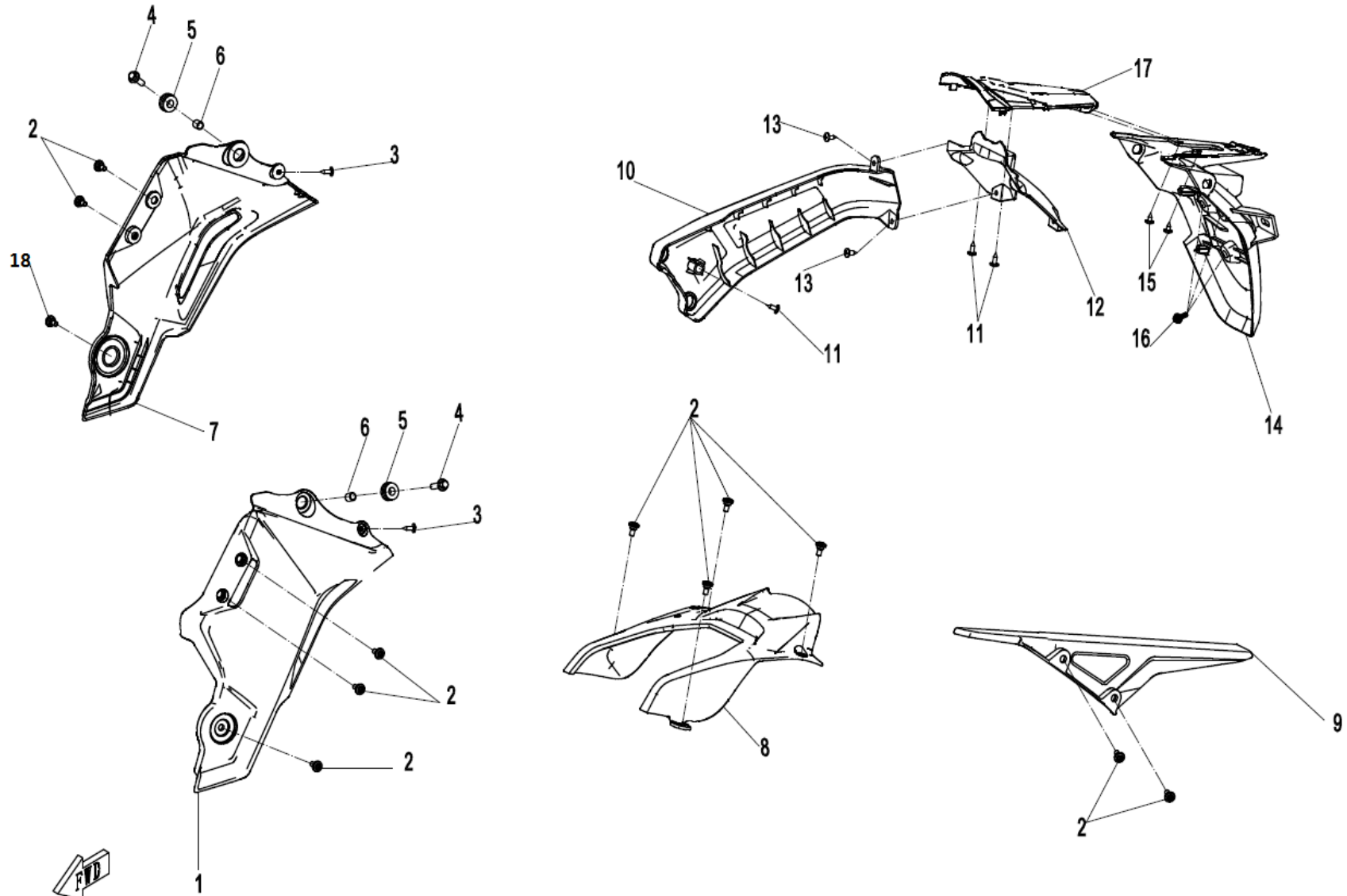
塑料件IV/PLASTICS IV



F04-4 塑料件4 PLASTICS4

Item No.	Parts Number	Parts Name(EN)	Parts Name(CN)	Qty	Specification	Effective
01	6GUV-041901-7000	BATTERY BOX	电池盒	1		
02	8010-000002	TOOL	夹板ST4.2	7	ST4.2	
03	8030-040800-00001	NUT CLIP M6	M6螺母夹	1	M6	
04	5HY#-040001-1000	BOLT M6x14	螺栓M6×14	2		
05	9010-120008	FUEL TANK SPONGE	油箱海绵块	2		
06	6GUV-042301-7000	DUST-PROOF BOOT	电器防尘盖	1		
07	6NQ#-000206-6001	INNER HEX SCREW M6x16	内六角螺钉M6×16	2	M6x16	
08	6GUV-040029-8000-0D100	RH REAR DECO GUARD	右后装饰罩	1	MATTE MIST SILVER BLACK	
09	6GU#-040023-6000	RH REAR GUARD	右后底罩	1		
10	6GUV-040028-8000-0D100	LH REAR DECO GUARD	左后装饰罩	1	MATTE MIST SILVER BLACK	
11	30118-420095010	SELF-TAPPING SCREW ST4.2x9.5	自攻螺钉	2	ST4.2x9.5	
12	6GU#-040022-6000	LH REAR GUARD	左后底罩	1		
13	A000-040302	RUBBER DAMPER	油箱外护罩缓冲橡胶	4		
14	30110-421130010	SCREW	自攻螺钉	10	ST4.2x13	
15	30006-060025810	BOLT	螺栓	4	M6x25	
16	6KM0-120010	T-TYPE BUSHING ASSY	T型衬套组合	4		
17	5020-031001	RUBBER SLEEVE, FRONT LICENSE BRACKET	前牌照支架橡胶胶套	4		
18	6GU#-040024-6000	REAR LOWER FENDER	后下挡泥板	1		
19	6GUV-043601-8000-0D100	DECO COVER, LH SIDE BAG BRACKET	左边包支架装饰盖	1	MATTE MIST SILVER BLACK	
20	6GUV-043701-8000-0D100	DECO COVER, RH SIDE BAG BRACKET	右边包支架装饰盖	1	MATTE MIST SILVER BLACK	
21	6KM#-040082-8000	SCREW KIT M5	M5组合台阶螺钉	4		
22	6KM#-040066-8001	SPONGE STRAP	海棉条	2		
23	6KM#-040077-8000	SPONGE STRAP 3	海棉条3	2		

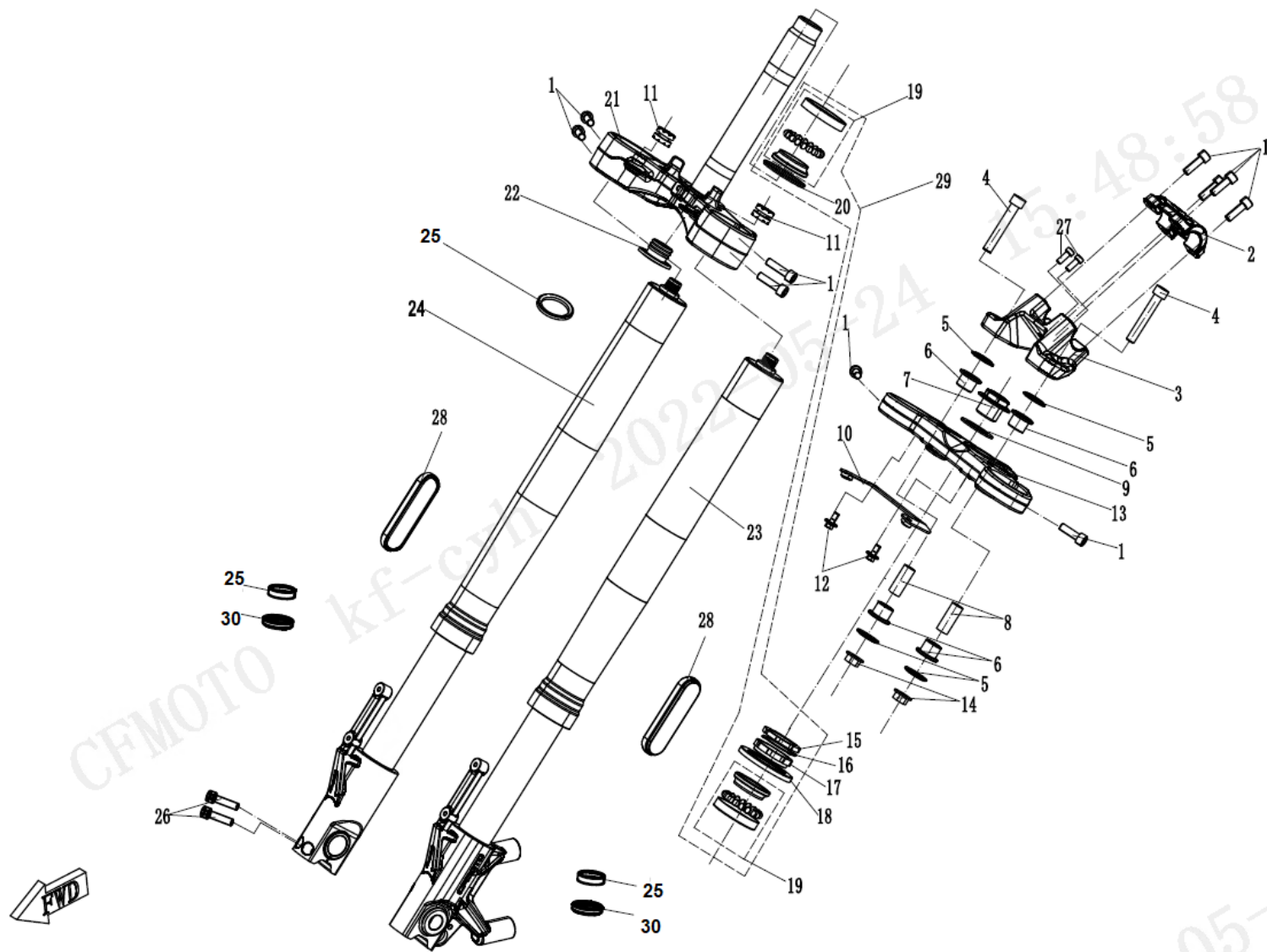
F04-5塑料件VI/PLASTICS VI



F04-5 塑料件5 PLASTICS5

Item No.	Parts Number	Parts Name(EN)	Parts Name(CN)	Qty	Specification	Effective
01	6GU#-040011-6001-0VU00	LH PANEL	左护板	1	MATTE MERCURY SILVER	
02	6KM#-040082-8000	SCREW KIT M5	M5组合台阶螺钉	11		
03	30118-420095010	SELF-TAPPING SCREW ST4.2x9.5	自攻螺钉	2	ST4.2x9.5	
04	A000-040703	INNER HEX SCREW	内六角螺钉M6×20	2	M6x20	
05	6090-040302	RUBBER DAMPER	缓冲胶套	2		
06	6090-040303	BUSHING	衬套	2		
07	6GU#-040012-6001-0VU00	RH PANEL	右护板	1	MATTE MERCURY SILVER	
08	6GU#-040027-6000	REAR FENDER	后挡泥板	1		
09	6GU#-040034-6001	CHAIN GUARD	链条罩	1		
10	6GU#-040036-6001	BRACKET, REAR FENDER	后泥板支撑架	1		
11	30110-420130070	SELF-TAPPING SCREW ST4.2x13-C-H	自攻螺钉	3	ST4.2x13-C-H	
12	6GU#-040041-6000	INNER LINER, REAR LICENSE	后牌照内衬板	1		
13	30110-420160010	SCREW	自攻螺钉	2	ST4.2x16	
14	6GUV-040037-6002	SUPPORTER, REAR LICENSE	后牌照支撑板	1		2021/8/28
15	30110-420095010	SELF-TAPPING SCREW ST4.2x9.5	自攻螺钉	2	ST4.2x9.5	
16	5HY#-040001-1000	BOLT M6x14	螺栓M6×14	3		
17	6GU#-040038-6000	MOUNTING PLATE, REAR LICENSE	后牌照安装板	1		
18	A000-040202	INNER HEX SCREW M5x14	内六角螺钉M5×14	1	M5x14	

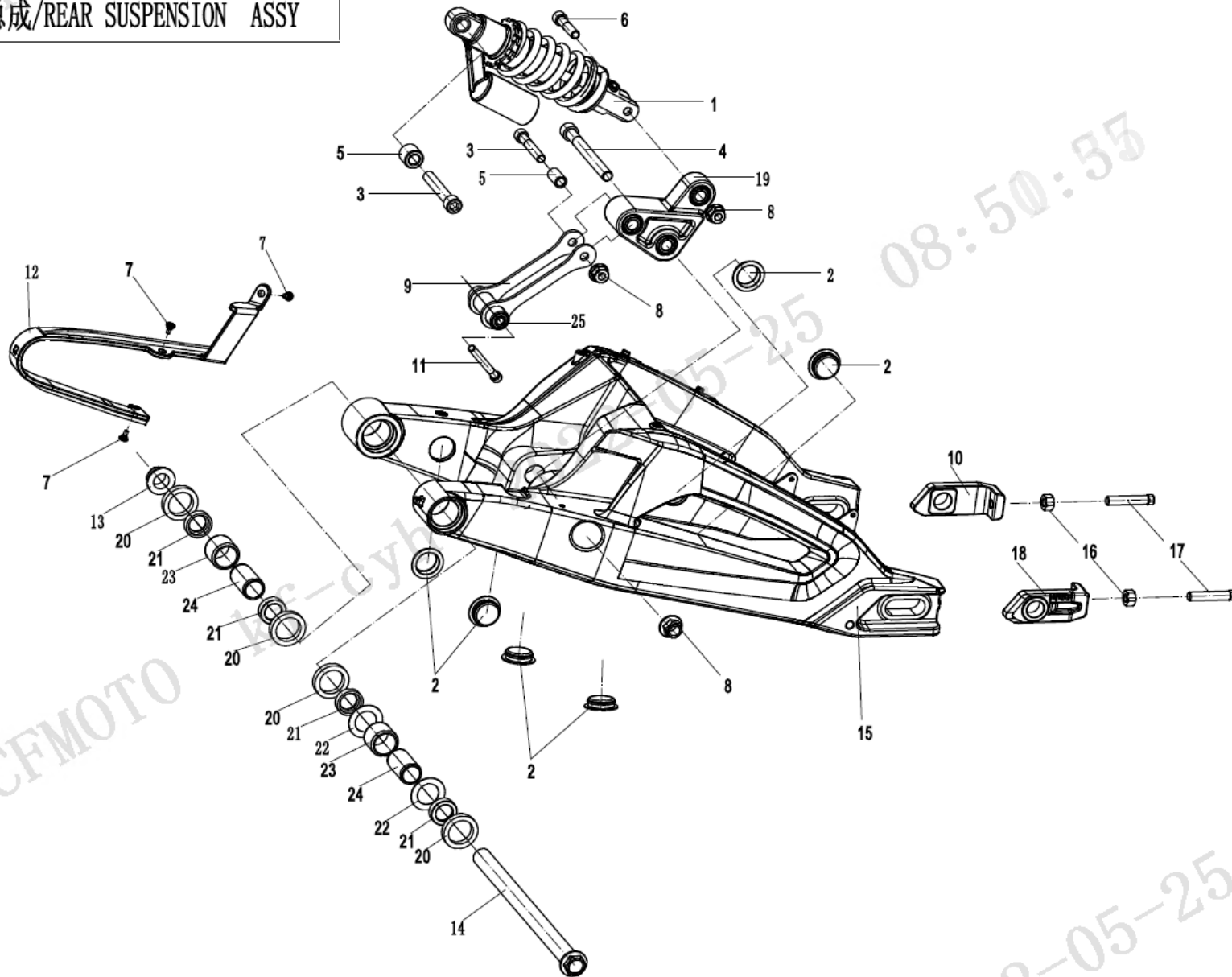
前悬挂总成/Front Suspension Assy



F05 前悬架 FRONT SUSPENSION

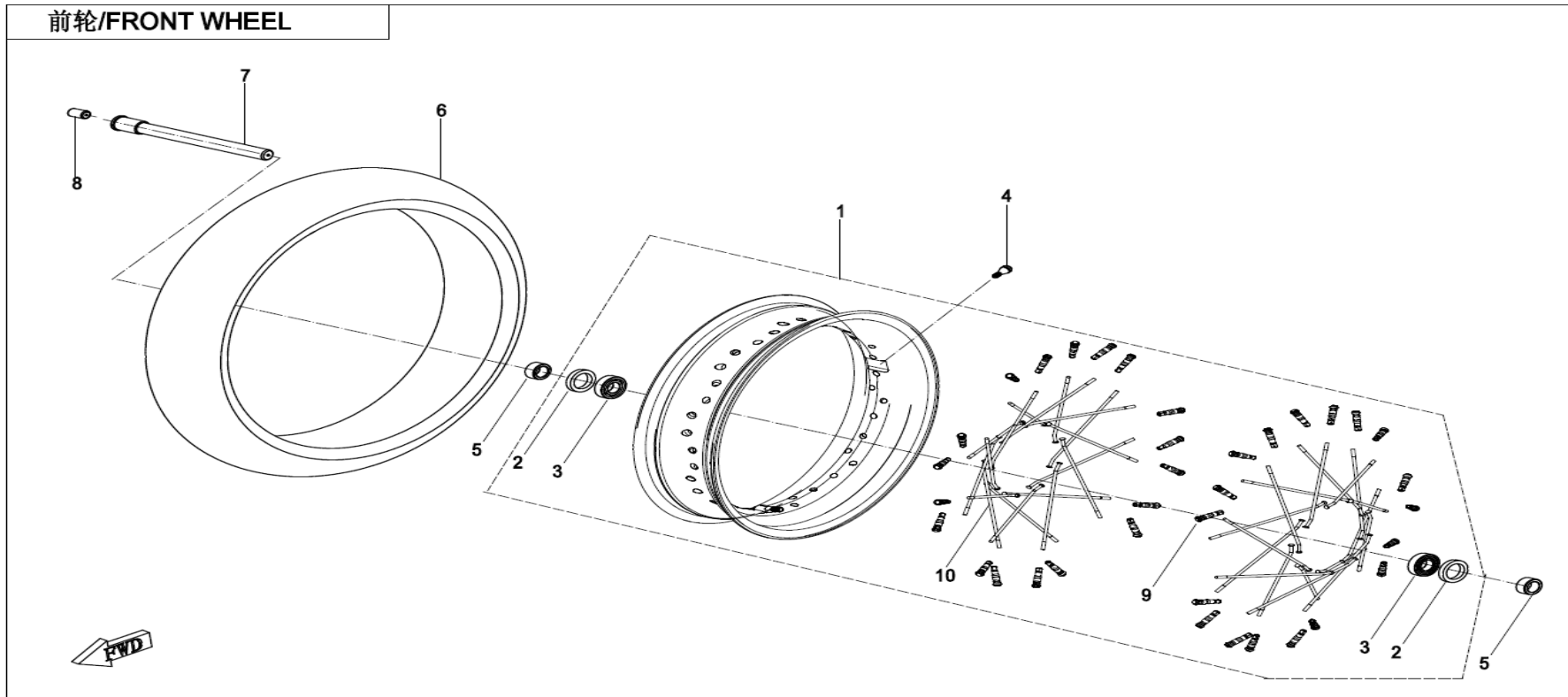
Item No.	Parts Number	Parts Name(EN)	Parts Name(CN)	Qty	Specification	Effective
01	30102-080025870	INNER HEX SCREW M8×25	螺钉	10	M8×25	
02	6GU#-050001-6000	PRESS COVER, HANDLEBAR	方向把压盖	1		
03	6GU#-050002-6000	BRACKET, HANDLEBAR	方向把支座	1		
04	30102-060016870	SCREW M6x16	螺钉	2		
05	6KJ0-050005	WASHER	垫圈	4		
06	6KJ0-050004	DAMPER RUBBER, UPPER TRIPLE CLAMP	上连板缓冲橡胶	4		
07	6NTA-050003	LOCK SCREW, UPPER TRIPLE CLAMP	上连板紧固螺钉	1		
08	6KJ0-050006-00001	LINER, UPPER TRIPLE CLAMP	上连板衬管	2		
09	A000-050004	WASHER	垫圈	1	5	
10	6GUV-050010-8000	BRACKET, HEADLIGHT	大灯安装支架组合	1		
11	5020-031001	RUBBER SLEEVE, FRONT LICENSE BRACKET	前牌照支架橡胶胶套	2		
12	30006-060012870	BOLT M6x12	螺栓	2	M6x12	
13	6GUV-050003-6002	UPPER TRIPLE CLAMP	上连板	1		
14	30204-102810	NUT M10x1.25	螺母	2	M10x1.25	
15	A000-050006	LOCK NUT 1	锁紧螺母I	1		
16	A000-050008	WASHER	垫圈	1	5	
17	A000-050007	LOCK NUT 2	锁紧螺母II	1		
18	A000-050009	DUST CAP, UPPER RETAINER	上挡圈防尘盖	1		
19	A000-050100-10000	STEERING BEARING ASSY	转向轴承组合	2		
20	A000-050400	ANTI-DUST CAP, LOWER RETAINING RING	下挡圈防尘盖组件	1		
21	6GUV-050300-8000	LOWER TRIPLE CLAMP	下连板组合	1		
22	A000-050011	RUBBER PLUG 2	橡胶塞II	1		
23	6GUV-050100-8000	FRONT LH SHOCK ABSORBER	前左减震器	1		
24	6GUV-050200-8000	FRONT RH SHOCK ABSORBER	前右减震器	1		
25	6GU#-050100-6001-24	OIL SEAL	油封	2		
26	30102-080040870	SCREW M8x40	螺钉	2		
27	30102-102060810	SCREW M10x1.25x60	螺钉	2	M10x1.25x60	
28	6KJV-160920-8001-M1	FRONT SIDE REFLECTOR	前侧反射器	2		2021/4/28
29	A000-0501A0	STEERING BEARING ASSY	转向轴承组合	1		
30	6GU#-050100-6001-25	ANTI-DUST CAP	防尘盖	2		

F06后悬挂总成/REAR SUSPENSION ASSY



F06 后悬架 REAR SUSPENSION

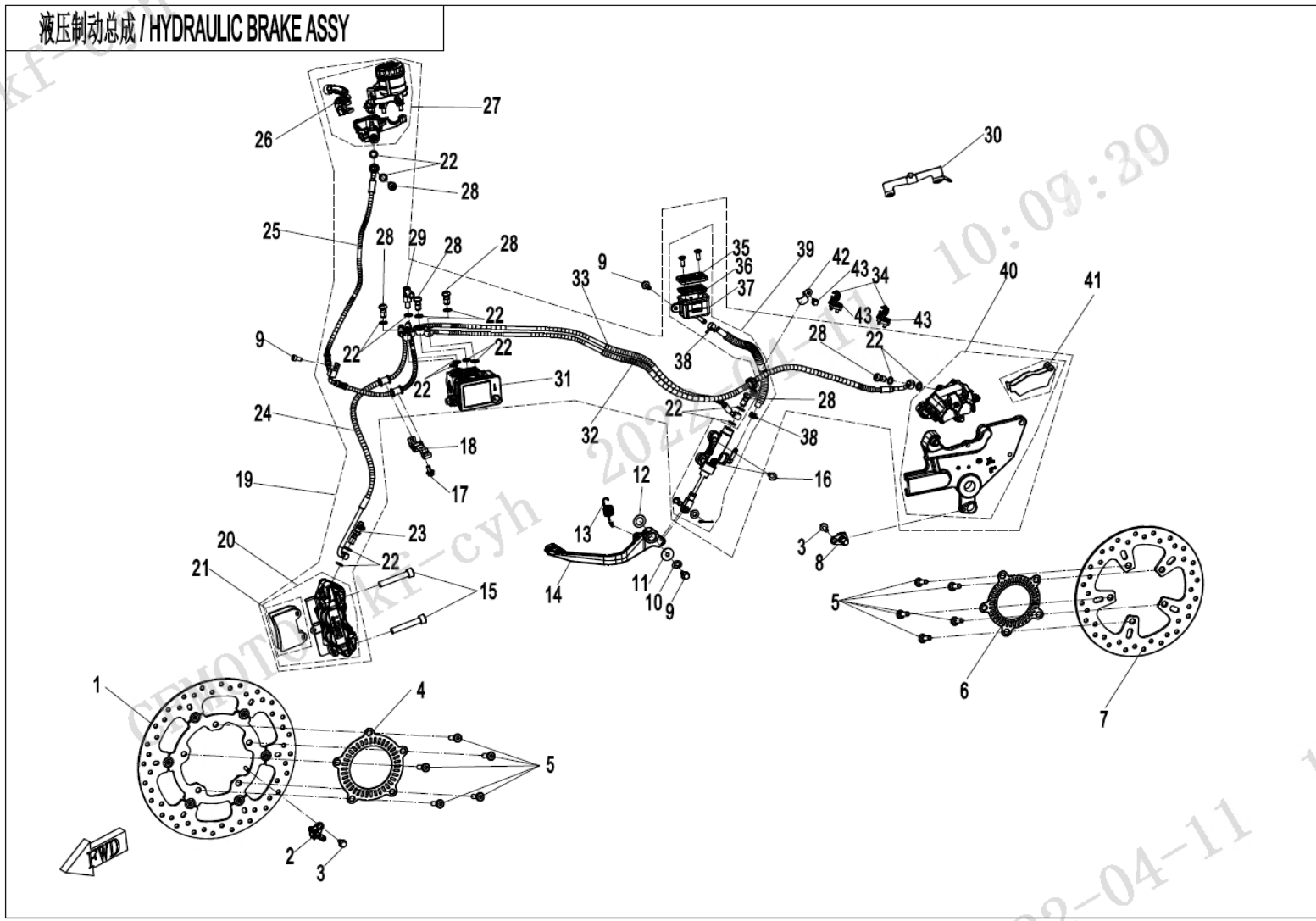
Item No.	Parts Number	Parts Name(EN)	Parts Name(CN)	Qty	Specification	Effective
01	6GUV-060100-8000	REAR SHOCK ABSORBER	后减震器	1		
02	6NT1-060003	DUST CAP, SMALL	小防尘盖	6		
03	6GU#-060006-6000	BOLT M12x75	三角摇臂螺栓M12×75	2		
04	30102-122120110	SCREW M12x1.25x120	螺钉	1		
05	6GU#-060003-6000	SPACER, A-SHAPE SWING ARM	三角摇臂安装隔套	2		
06	30102-122060110	SCREW M12x1.25x60	螺钉	1		
07	6KM#-040082-8000	SCREW KIT M5	M5组合台阶螺钉	3		
08	30204-122810	NUT M12x1.25	螺母	3	M12x1.25	
09	6GUV-060300-6002	ROD ASSY	拉杆组合	1		
10	6GU#-060502-6000	RH ADJUSTING BLOCK, CHAIN	右链条调节块	1		
11	6AQV-060009-1002	BOLT M10x130, TIE ROD	拉杆螺栓M10×130	1	M10x130	
12	6GUV-060009-8000	CHAIN GUARD	链条护卡	1		
13	A000-060004	NUT M20x1.5	螺母	1	M20x1.5	
14	6GU#-060004-6002	REAR FORK SHAFT	后平叉轴	1		
15	6GU#-060001-6001-0BY00	REAR FORK	后平叉	1	NANO BLACK	
16	6L30-060013	LOCK NUT, CHAIN ADJUSTER	链条调节器锁紧螺母	2		
17	6GU#-060007-6000	ADJUSTING BOLT, CHAIN	链条调节螺栓	2		
18	6GU#-060501-6000	LH ADJUSTING BLOCK, CHAIN	左链条调节块	1		
19	6GUV-060200-6002	SWING ARM	三角摇臂组合	1		
20	6L30-060030	OIL SEAL, REAR FORK	后平叉油封	4		
21	6L30-060007	CAP, REAR FORK LINER	后平叉衬管端盖	4		
22	6L30-060004	LIMIT WASHER	限位垫圈	2		
23	6L30-060020	BEARING, REAR FORK	后平叉轴承	2		
24	6GUV-060401-6001	BUSHING, REAR FORK	后平叉衬套	2		
25	6GUV-060303-6000	SPACER, TIE ROD	拉杆组合安装隔套	1		



F07 前轮 FRONT WHEEL

Item No.	Parts Number	Parts Name(EN)	Parts Name(CN)	Qty	Specification	Effective
01	6GUV-070200-8000	FRONT RIM ASSY	前轮辋组合	1		
02	30501-030800N	OIL SEAL	油封	2	FB30x42x7	
03	30400-02003	BEARING	滚动轴承	2	6004-2RS	
04	5190-070030-1000	VALVE, INFLATION	气门嘴	1		
05	A000-070002	BUSHING, FRONT AXLE	前轮轴衬套	2		
06	30705-1803	FRONT TIRE	轮胎	1		
07	A000-070001	AXLE, FRONT WHEEL	前轮轴	1	WITH KYB SHOCK ABSORBER	
08	A000-050016	RUBBER PLUG, FRONT WHEEL AXLE	前轮轴橡胶塞	1		
09	6GUV-070200-8000-21	FRONT RIM CAP	前轮辋条帽	36		
10	6GUV-070203-8000	FRONT RIM SPOKES	前轮辋辐条	36		

液压制动总成 / HYDRAULIC BRAKE ASSY

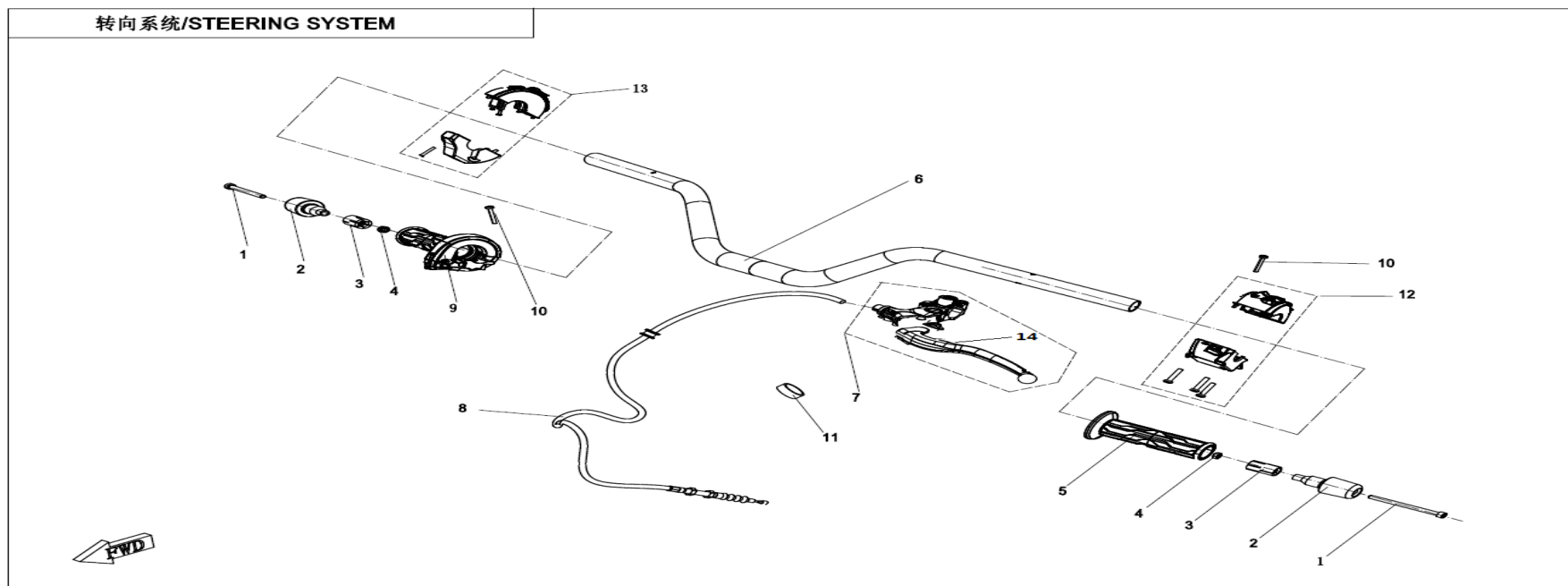


F08 液压制动总成 (ABS) BRAKE ASSY (ABS)

Item No.	Parts Number	Parts Name(EN)	Parts Name(CN)	Qty	Specification	Effective
01	6GU#-080001-6001-M1	FRONT BRAKE DISC	前制动盘	1		
02	6GU#-081800-6002-M1	RPM SENSOR, FRONT WHEEL	前轮轮速传感器	1		
03	30006-060016870	BOLT M6x16	螺栓	2	M6x16	

Item No.	Parts Number	Parts Name(EN)	Parts Name(CN)	Qty	Specification	Effective
04	6GU#-080002-6001	FRONT GEAR RING	前齿圈	1		
05	A000-080003-10000	BOLT, BRAKE DISC	制动盘螺栓	10		
06	6GU#-090002-6001	REAR GEAR RING	后齿圈	1		
07	6GU#-090001-6000-M1	REAR BRAKE DISC	后制动盘	1		
08	6GU#-081700-6001-M1	RPM SENSOR, REAR WHEEL	后轮轮速传感器	1		
09	30006-060016870	BOLT M6x16	螺栓	2	M6x16	
10	30303-060112	WASHER	垫圈	1	6	
11	A000-080006-10000	WASHER 1	垫片I7×24×1.6_性能等级100HV	1		2022/5/29
12	A000-080007-10000	WASHER 2	垫片II	1		
13	6NTG-080005	RETURN SPRING	回位弹簧	1		
14	6GU#-081401-6001	REAR BRAKE PEDAL	后制动踏板	1		2020/11/26
15	30102-102060810	SCREW M10x1.25x60	螺钉	2	M10x1.25x60	
16	30102-060020810	SCREW M6x20	螺钉	2	M6x20	
17	30102-060012810	SCREW	内六角螺钉M6X12	1		
18	6GUV-080004-8000	WIRE CLIP, BRAKE FLUID HOSE	制动油管线夹	1		
19	6GUV-081000-8000	ABS BRAKE	ABS制动器总成	1		
20	6GUV-081100-6001	FRONT LH BRAKE CALIPER	前左制动钳体组合	1		
21	6GU#-0811A0-6000	FRONT BRAKE PAD ASSY	前制动片组合	1		
22	A000-080102-2000	WASHER	垫圈	16		
23	6GU#-081000-6000-22	BANJO BOLT 1	过油螺栓1	1		
24	6GUV-081020-8000-M1	FRONT BRAKE INLET PIPE	前制动进油管	1		
25	6GUV-081010-8000-M1	FRONT BRAKE OUTLET PIPE	前制动出油管	1		
26	A000-080131-2000	LEVER	手柄	1		
27	6GU#-080110-6003-M1	FRONT BRAKE MASTER CYLINDER ASSY	前制动泵组合	1		2021/4/19
28	6GU#-081000-6000-23	BANJO BOLT2	过油螺栓II	5		
29	6GU#-080010-6003	HYDRAULIC INDUCTION SWITCH	双路液压感应开关	1		2021/4/19
30	6GU#-080007-6000	WIRE CLIP, RPM SENSOR CABLE	轮速传感器线束固定线夹	1		
31	6GUV-081500-8000-M1	MAB ACTUATOR	MAB执行单元	1		
32	6GU#-081050-6000	REAR BRAKE FLUID OUTLET HOSE	后制动出油管	1		
33	6GU#-081040-6000	REAR BRAKE FLUID INLET HOSE	后制动进油管	1		
34	6GU#-080009-6000	WIRE CLIP, BRAKE FLUID HOSE	制动油管线夹	2		
35	A000-080211-2000	FLUID RESERVOIR CAP	油杯盖	1		
36	A000-080232-2000	SEAL RING, FLUID RESERVOIR	油杯密封圈	1		

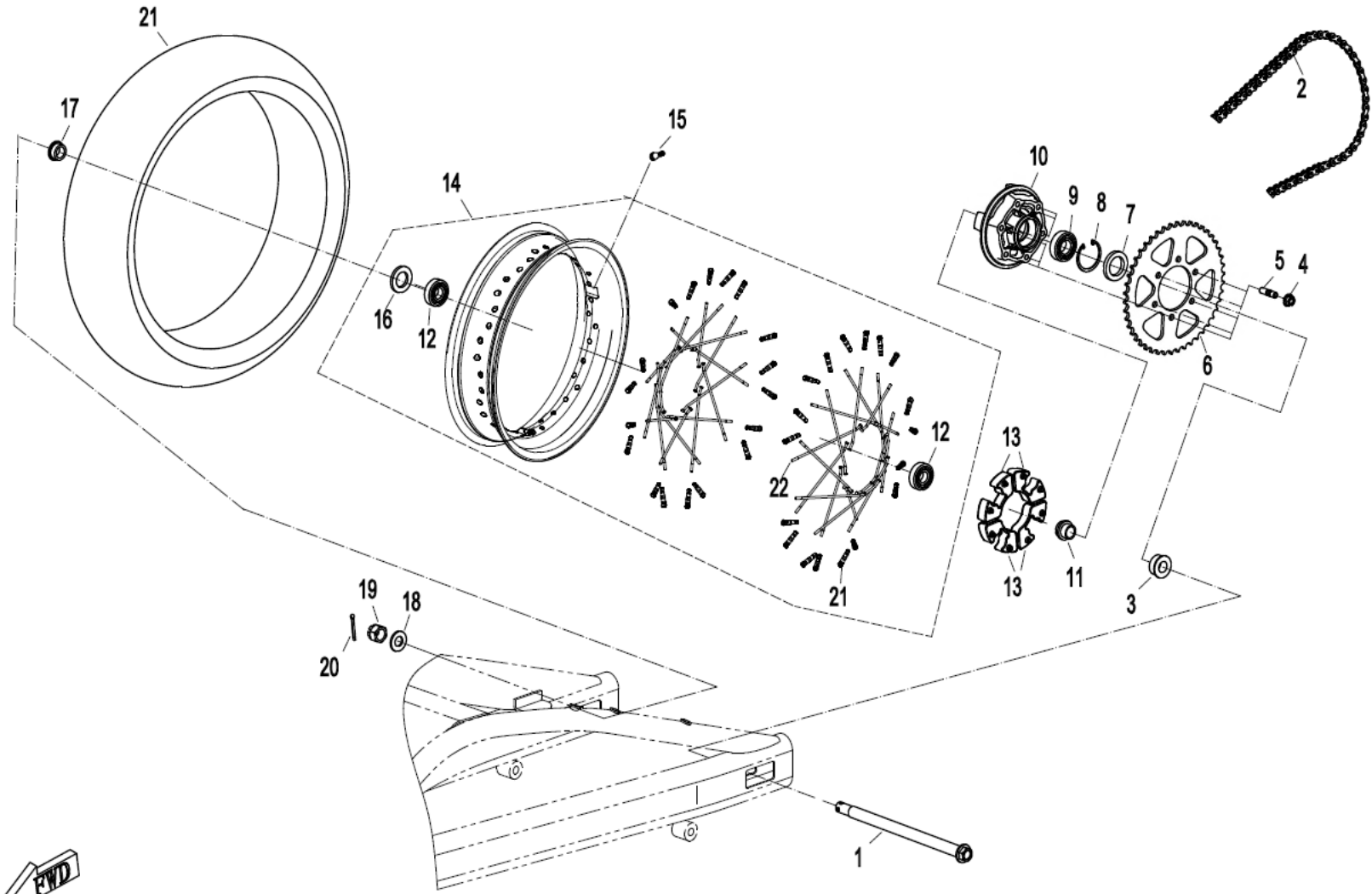
Item No.	Parts Number	Parts Name(EN)	Parts Name(CN)	Qty	Specification	Effective
37	A000-080212-2000	FLUID RESERVOIR	油杯体	1		
38	6GU#-081300-6000-24	CLIP, FUEL HOSE	油管夹	2		
39	6GU#-081300-6003	REAR BRAKE MASTER CYLINDER ASSY	后刹主泵总成	1		2021/4/19
40	6GUV-091100-6003	REAR BRAKE CALIPER	后制动钳体组合	1		
41	6GUV-0911A0-6003	REAR BRAKE PAD ASSY	后制动片组合	1		
42	6GU#-080006-6000	WIRE CLIP, REAR BRAKE MASTER CYLINDER	后刹主泵油管线夹	1		
43	30006-050012870	BOLT	螺栓	3		



F10 转向系统 STEERING SYSTEM

Item No.	Parts Number	Parts Name(EN)	Parts Name(CN)	Qty	Specification	Effective
01	30102-060075870	SCREW M6x75	螺钉	2	M6x75	
02	6KJ0-100011	BALANCER	平衡块	2		
03	8060-100109	TENSIONER TOOL	胀紧块	2		
04	30200-060810	NUT	螺母	2	M6	
05	6GUV-100001-6001	LH HAND GRIP	左握把套	1		2022/2/28
06	6GUV-100101-8000	HANDLEBAR PIPE	方向把管	1		
07	6NQV-100200-6006	LEVER, CLUTCH	离合手柄组合	1		2021/11/1
08	6GUV-100600-8000	CLUTCH CABLE	离合拉索	1		
09	6GUV-100020-6001	ELECTRICAL THROTTLE ASSY	电子油门组件	1		2021/05/29
10	30105-040030410	SCREW M4x30	螺钉	2	M4x30	
11	6KJ0-100002	CLUTCH PULL BINDING	离合器拉锁绑带	1		
12	6GUV-166000-8000	HANDLEBAR SWITCH ASSY, LH	左手把开关总成	1		
13	6GUV-167000-6101	HANDLEBAR SWITCH ASSY, RH	右手把开关总成	1		2021/04/17
14	6NQV-100201-6002	CLUTCH LEVER	离合手柄	1		

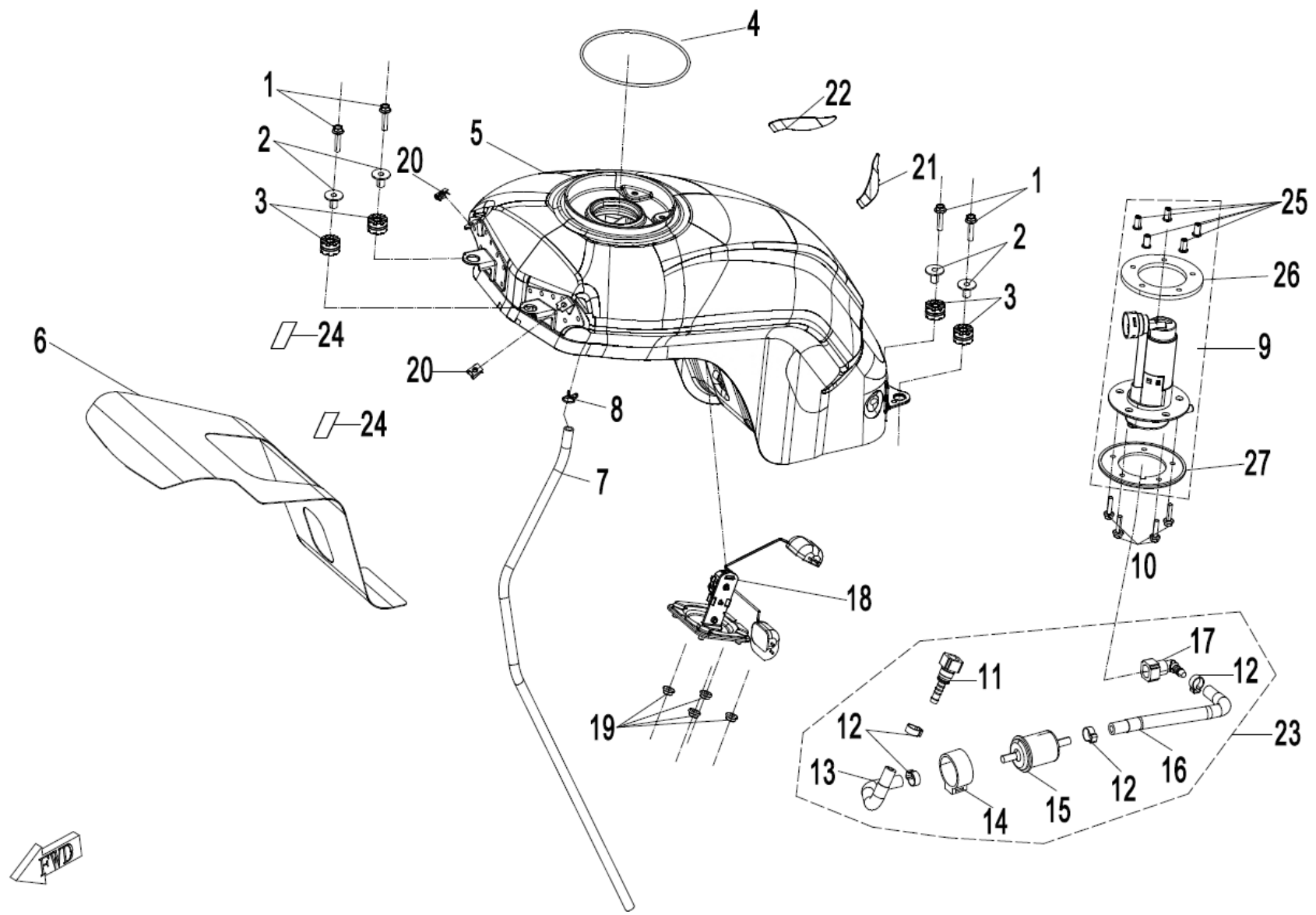
后轮/REAR WHEEL



F11 后轮 REAR WHEEL

Item No.	Parts Number	Parts Name(EN)	Parts Name(CN)	Qty	Specification	Effective
01	6L30-110001	REAR WHEEL SHAFT	后轮轴	1		
02	3120914	CHAIN	链条	1		
03	A000-110002	LH SHAFT SLEEVE, REAR WHEEL	后轮左轴套	1		
04	30204-102810	NUT M10x1.25	螺母	1	M10x1.25	
05	30020-102025410	STUD	螺柱	1	AM10x1.25x25	
06	6GUV-110004-6000	REAR SPROCKET	后链轮	1		
07	30501-035800N	OIL SEAL	油封	1	FB35x52x8	
08	30800-05205	CIRCLIP FOR HOLE	孔用弹性挡圈	1	52	
09	30400-02503	BEARING	滚动轴承	1	6205-2RS	
10	6GU#-110002-6000	SPROCKET SEAT	链轮座	1		
11	6GU#-110003-6000	BUSHING, SPROCKET SEAT	链轮座衬套	1		
12	30400-02001	BEARING	滚动轴承	2	6204-RS	
13	6L30-110003	DAMPER, SPROCKET	链轮缓冲块	6		
14	6GUV-110200-8000	REAR RIM ASSY	后轮辋组合	1		
15	5190-070030-1000	VALVE, INFLATION	气门嘴	1		
16	30501-028800N	OIL SEAL	油封	1	FB28x47x7	
17	6NT1-110003	WASHER, REAR WHEEL AXLE	后轮右轴套	1		
18	A000-110009	WASHER 18, REAR WHEEL AXLE	后轮轴平垫18	1		
19	A000-110011	NUT, REAR WHEEL	后轮轴螺母	1		
20	30903-0403510	COTTER PIN	开口销	1	4.0x35	
21	30705-1768	REAR TIRE	轮胎	1		
22	6GUV-110200-8000-21	REAR RIM CAP	后轮辋条帽	36		
23	6GUV-110202-8000	REAR RIM SPOKES	后轮辋辐条	36		

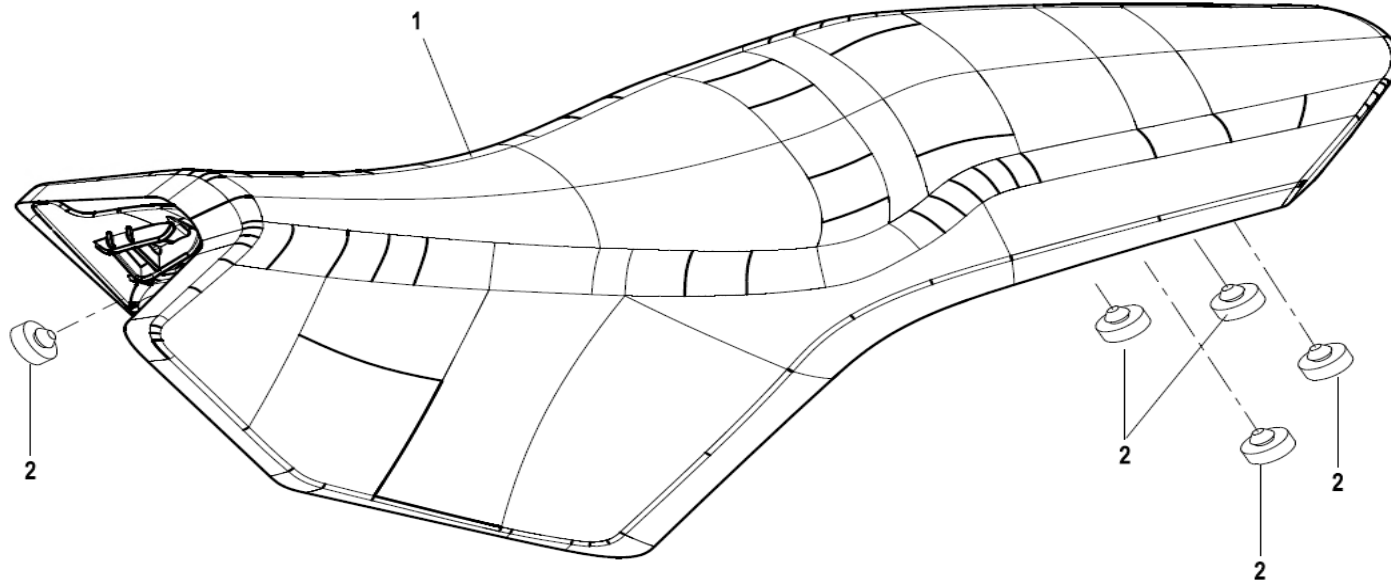
油箱/FUEL TANK



F12 油箱 FUEL TANK

Item No.	Parts Number	Parts Name(EN)	Parts Name(CN)	Qty	Specification	Effective
01	30006-060025810	BOLT	螺栓	4	M6x25	
02	6KM0-120010	T-TYPE BUSHING ASSY	T型衬套组合	4		
03	5020-031001	RUBBER SLEEVE, FRONT LICENSE BRACKET	前牌照支架橡胶胶套	4		
04	6GU#-120001-6000	O-RING, FUEL TANK	油箱口O型圈	1		
05	6GUV-121000-8000	DECAL, FUEL TANK	油箱贴花组合	1		
06	6GUV-120002-6002	HEAT INSULATOR, FUEL TANK	油箱隔热纸	1		2022/3/3
07	6NQ0-120001	FUEL PIPE, FUEL TANK	油箱漏油管	1		
08	30601-111010	CLAMP A11	环箍A11	1	A11	
09	6KJV-150900-8001	FUEL PUMP ASSY	油泵总成	1		2021/05/10
10	30006-050020810	BOLT	螺栓	5	M5x20	
11	6KJ0-120330-10000	QUICK JOINT	快速接头	1		
12	6070-120400	CLAMP	无级环箍 (Φ14.5)	4	Dia14.5	
13	6GU#-120020-6000	HIGH-PRESSURE FUEL HOSE ASSY 2	高压油管组合II	1		
14	6090-120221	RUBBER SLEEVE, FUEL FILTER, EFI	电喷燃油滤清器橡胶套	1		
15	805A-120004	FUEL FILTER, EFI	电喷燃油滤清器	1		
16	6GU#-120010-6000	HIGH-PRESSURE FUEL HOSE ASSY 1	高压油管组合I	1		
17	6090-120210	QUICK JOINT	快速接头	1		
18	6GUV-170200-6000-M1	FUEL LEVEL SENSOR	油位传感器	1		
19	30202-060110	NUT M6	螺母	4	M6	
20	6KM#-040081-8000-M1	NUT CLIP M5	M5螺母夹	2		
21	6GU#-120003-6000	LH GLUE FILM, FUEL TANK	油箱尾部左胶贴	1		
22	6GU#-120004-6000	RH GLUE FILM, FUEL TANK	油箱尾部右胶贴	1		
23	6GUV-1200A0-6000	HIGH-PRESSURE FUEL HOSE ASSY	高压油管组合	1		
24	6NQ0-190005	TAPE	后平叉胶贴	2		
25	6KJ0-150903	BUSHING	衬套	5		
26	6KJ0-150902	SEAL WASHER, TOP COVER	顶盖密封圈	1		
27	6KJ0-150901	LOCK PAD, TOP COVER	顶盖锁紧片	1		

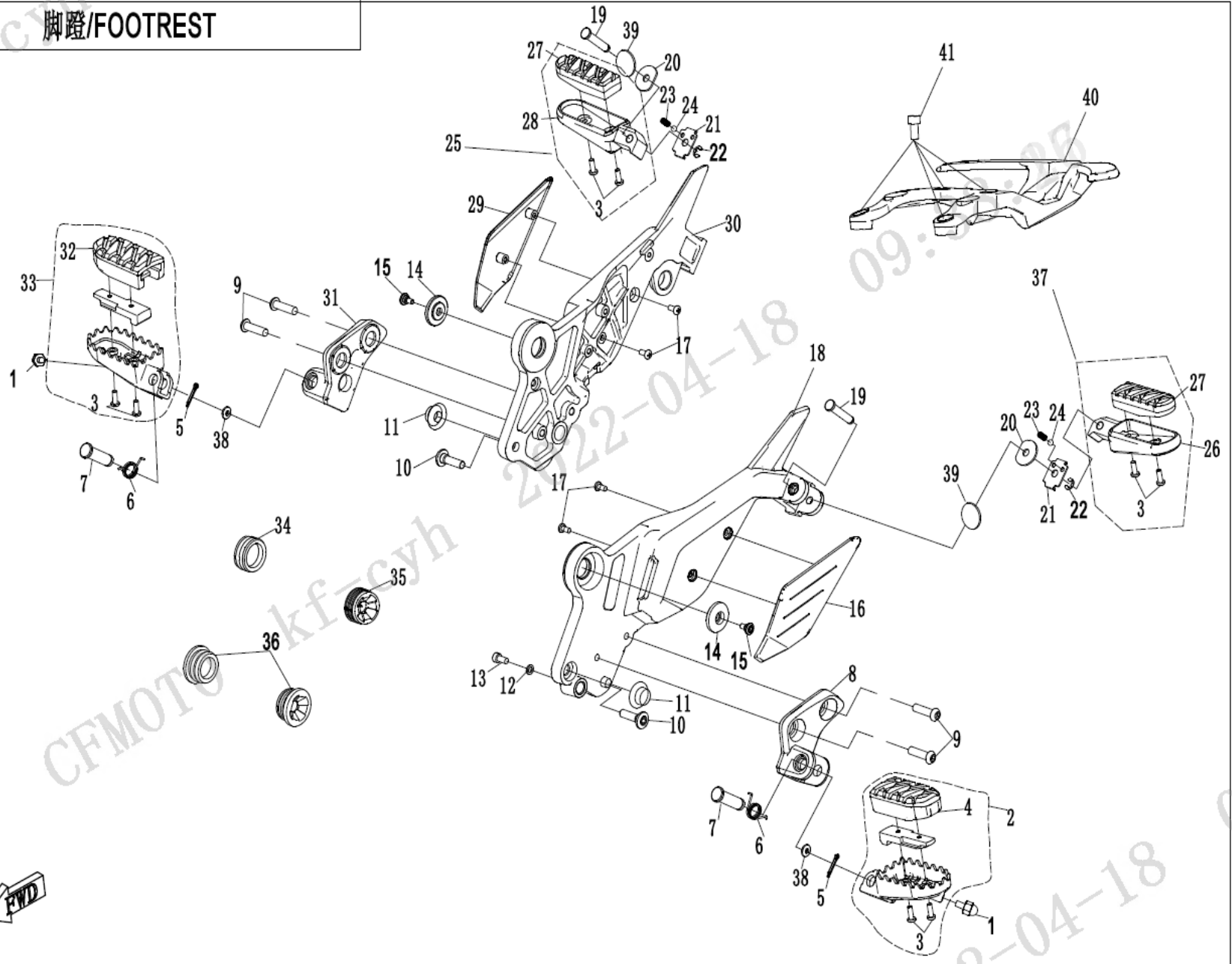
座垫总成/SEAT ASSY



F13 座垫 SEAT

Item No.	Parts Number	Parts Name(EN)	Parts Name(CN)	Qty	Specification	Effective
01	6GUV-130100-8000	SEAT	座垫总成	1		
02	6KM0-130205	RUBBER	缓冲橡胶垫	5		

脚踏/FOOTREST

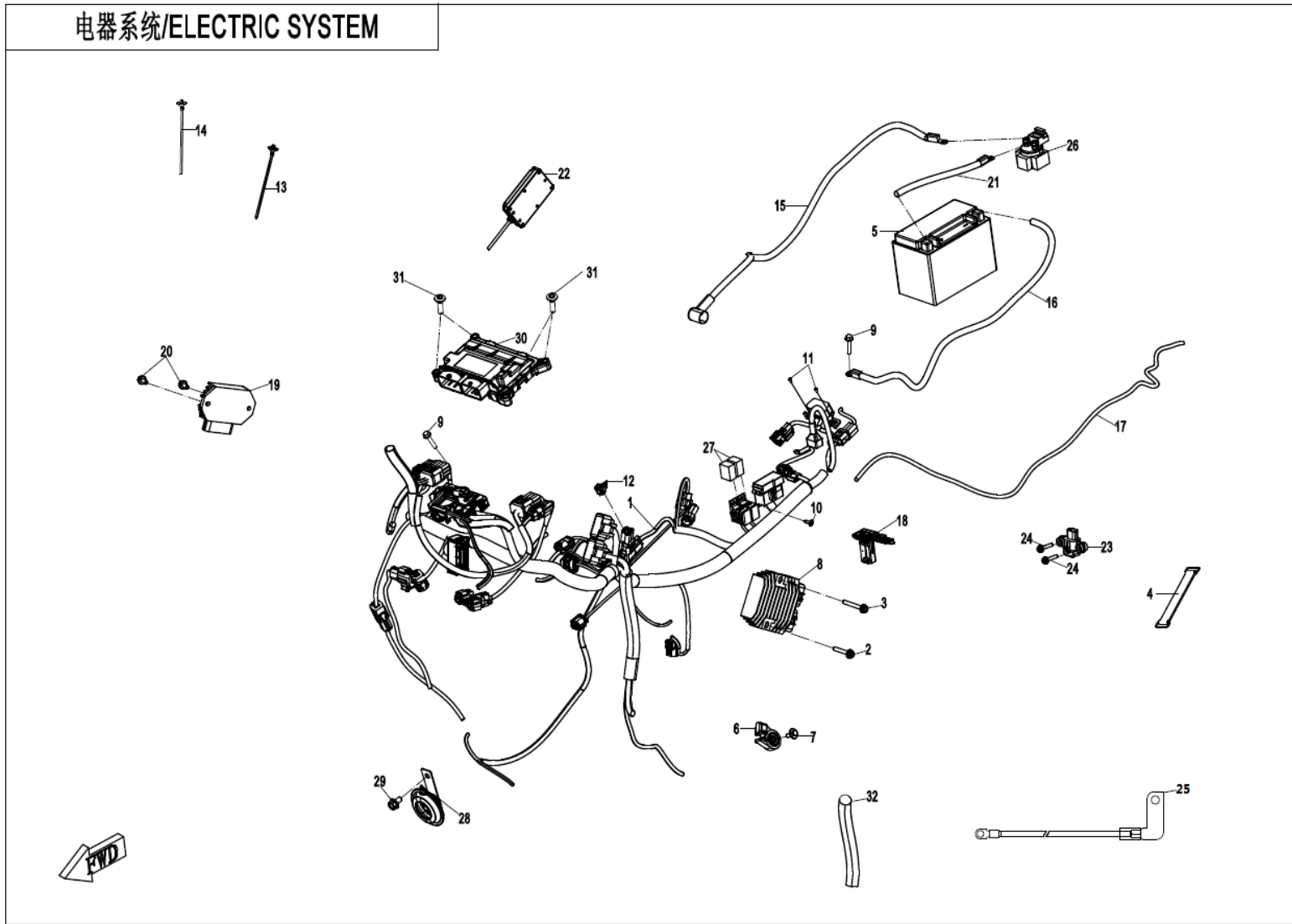


F14 脚蹬 FOOTREST

Item No.	Parts Number	Parts Name(EN)	Parts Name(CN)	Qty	Specification	Effective
01	6GU#-140202-6000	LIMIT BOLT	限位螺钉	2		
02	6GUV-140220-6003-0BY00	FRONT FOOTREST SEAT, LH	左前脚蹬座组件	1	NANO BLACK	2022/10/17
02	6GU#-140220-6001-0BY00	LH FRONT FOOTREST SEAT	左前脚蹬座组件	1	NANO BLACK	
03	30105-050014470	SCREW	螺钉	8		
04	6GU#-140205-6000	LH FRONT FOOTREST RUBBER	左前脚蹬胶皮	1		
05	30903-0322210	COTTER PIN	开口销	2	3.2x22	
06	A000-140103-20000	SPRING	扭簧	2		
07	6WWV-140141-5000	PIN SHAFT	销轴	2		
08	6GUV-140600-6002	BRACKET, LH FRONT FOOTREST	左前脚蹬支架组件	1		
09	30121-080030170	SCREW M8x30	螺钉	4		
10	6KM0-140103	FLANGE BOLT, M8x25	凸台螺栓	2	M8x25	
11	6GU#-140092-6000	LIMIT RUBBER, FOOTREST BOARD	脚蹬限位胶	2		
12	30303-060152	WASHER	垫圈	1	6	
13	30102-060012810	SCREW	内六角螺钉M6X12	1		
14	6GUV-140005-8000	DECO BUCKLE, REAR FOOTREST	后脚蹬装饰扣	2		
15	6KM#-040082-8000	SCREW KIT M5	M5组合台阶螺钉	2		
16	6GUV-140060-6400	DECO PLATE, LH FOOTREST BRACKET	左脚蹬支架装饰板	1		
17	30105-050010410	SCREW	螺钉	4	M5x10	
18	6GUV-140810-8000	BRACKET, LH FOOTREST	左脚蹬支架组件	1		
19	A000-140142	PIN SHAFT Dia 8	销轴φ8	2	Dia 8	
20	A000-140106	LOCATING GASKET 2	定位垫片II	2		
21	A000-140104	LOCATING GASKET 1	定位垫片I	2		
22	30802-00603	CIRCLIP 6	开口挡圈6	2	6	
23	5190-037813	SPRING	弹簧	2		
24	5190-037814	STEEL BALL	钢珠	2		
25	6GUV-1400B0-6000-0VX00	REAR FOOTREST, RH	右后脚蹬组件_PC电光银	1	PC MERCURY SILVER	
26	6GU#-140041-6000-0VX00	REAR FOOTREST SEAT, LH	左后脚蹬座	1	PC MERCURY SILVER	
27	6GU#-140080-6000	RUBBER, REAR FOOTREST BOARD	后脚蹬胶皮组件	2		
28	6GU#-140051-6000-0VX00	REAR FOOTREST SEAT, RH	右后脚蹬座	1	PC MERCURY SILVER	

Item No.	Parts Number	Parts Name(EN)	Parts Name(CN)	Qty	Specification	Effective
29	6GUV-140070-6400	DECO PLATE, RH FOOTREST BRACKET	右脚踏支架装饰板	1		
30	6GUV-140010-8000	BRACKET, RH FOOTREST	右脚踏支架组件	1		
31	6GUV-140700-6002	BRACKET, RH FRONT FOOTREST	右前脚踏支架组件	1		
32	6GU#-140206-6000	RH FRONT FOOTREST RUBBER	右前脚踏胶皮	1		
33	6GUV-140230-6003-0BY00	FRONT FOOTREST SEAT, RH	右前脚踏座组件	1	NANO BLACK	
33	6GU#-140230-6001-0BY00	RH FRONT FOOTREST SEAT	右前脚踏座组件	1	NANO BLACK	
34	6GU#-140096-6000	RH DECO CLASP, FRAME	车架右装饰扣	1		
35	6GU#-140095-6000	LH DECO CLASP, FRAME	车架左装饰扣	1		
36	6GU#-140097-6000	FRONT DECO CLASP, FRAME	车架前装饰扣	2		
37	6GUV-1400A0-6000-0VX00	REAR FOOTREST, LH	左后脚踏组件_PC电光银	1	PC MERCURY SILVER	
38	30300-100112	WASHER	垫圈	2		
39	6GUV-140030-8000	O-RING	O型密封圈	2		
40	6GUV-140100-8000-0VX00	REAR ARMREST	后扶手	1	MERCURY SILVER	
41	30102-080016810	INNER HEX BOLT	内六角圆柱头螺钉	4		

电器系统/ELECTRIC SYSTEM

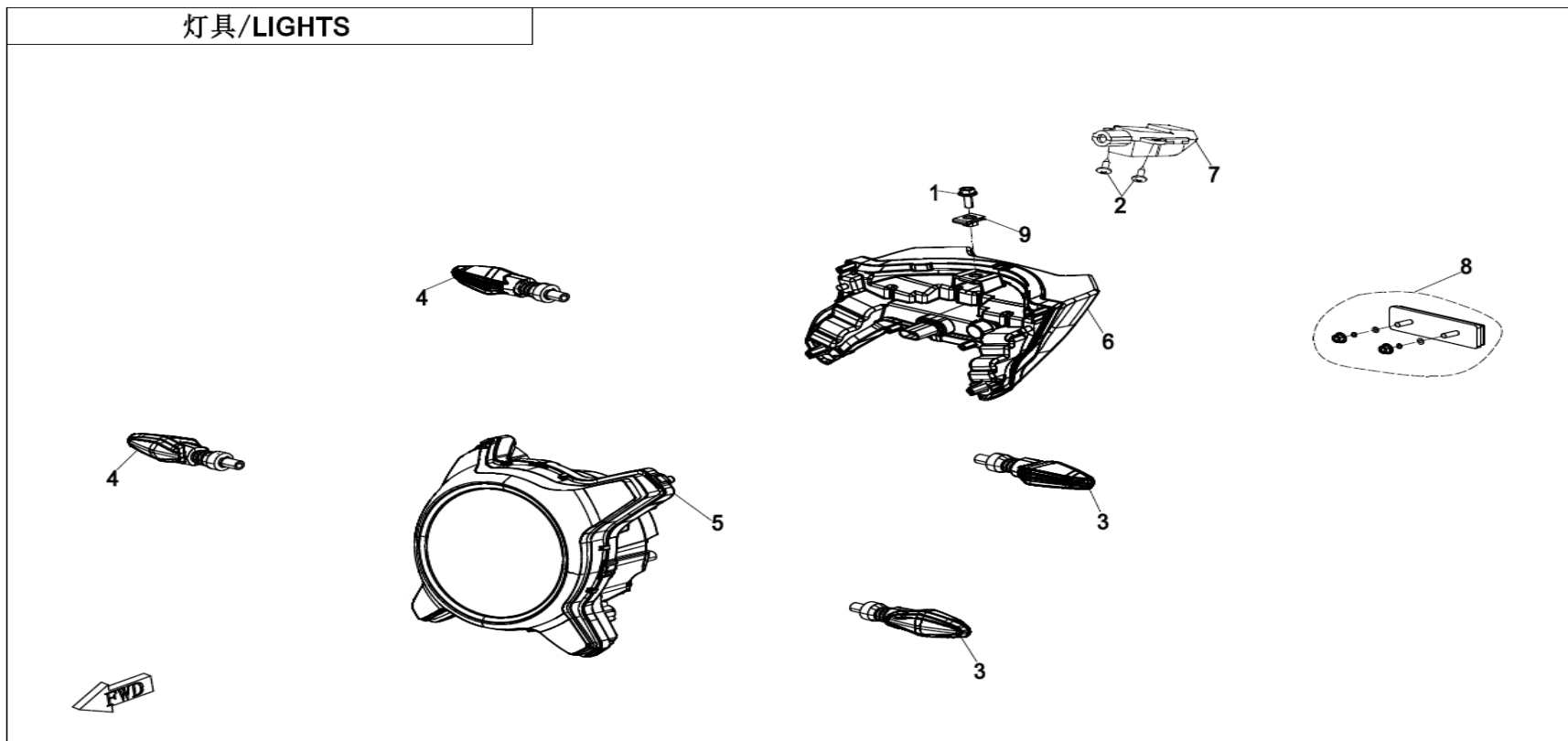


F15 电器系统 ELECTRIC SYSTEM

Item No.	Parts Number	Parts Name(EN)	Parts Name(CN)	Qty	Specification	Effective
01	6GUV-150100-8000	MAIN CABLE	主线束	1		
02	30006-060035810	BOLT M6x35	螺栓	1	M6x35	
03	30006-060045810	BOLT M6x45	螺栓	1	M6x45	

Item No.	Parts Number	Parts Name(EN)	Parts Name(CN)	Qty	Specification	Effective
04	1080-150700	TIE BAND, BATTERY	蓄电池拉带	1		
05	31021100	BATTERY	蓄电池	1		
06	6070-151200-1000	SWITCH, SIDE STAND	边撑开关	1		
07	8010-090005	BOLT M6x16	螺栓M6×16	1	M6x16	
08	01AA-177000	REGULATOR	整流调压器	1	330W	
09	30006-060012870	BOLT M6x12	螺栓	2	M6x12	
10	30118-420095010	SELF-TAPPING SCREW ST4.2x9.5	自攻螺钉	1	ST4.2x9.5	
11	30118-420130010	SELF-TAPPING SCREW ST4.2x13	自攻螺钉	2	ST4.2x13	
12	6GU#-150001-6000-M1	CLASP	卡扣	3		
13	7030-150005	TIE BAND	扎带	4		
14	801F-100101	TIE BAND	扎带	6		
15	6GU#-150200-6000	POSITIVE CABLE, STARTER MOTOR	起动马达正极线	1		
16	6GU#-150300-6000	NEGATIVE CABLE, STARTER MOTOR	起动马达负极线	1		
17	6GU#-150400-6001	AUXILIARY CABLE, LICENSE LIGHT	牌照灯副电缆	1		
18	6GU#-150500-6001	USB POWER OUTLET SOCKET	USB电源输出座	1		2020/10/12
19	6GU#-150600-6100	VEHICLE CONTROL UNIT	车身控制模块	1		
20	30006-060016870	BOLT M6x16	螺栓	2	M6x16	
21	6GU#-150700-6000	POSITIVE CABLE, STARTER RELAY	起动继电器正极线	1		
22	6GUV-151800-7501-M1	T-BOX	智能中控	1		
23	6KJ0-150600	SENSOR, ROLL-OVER	侧倾传感器	1		
24	30006-050020810	BOLT	螺栓	2	M5x20	
25	6GU#-150430-6000	EARTH WIRE, ENGINE	发动机搭铁线	1		2020/9/23
26	9010-150310-10001	STARTER RELAY	起动继电器	1		
27	A000-150800	AUXILIARY RELAY	辅助继电器	2		
28	KNL0-150600	HORN	喇叭	1		
29	30006-080016870	BOLT	螺栓	1		
30	6GUV-001000-8000	ECU	ECU总成	1		
31	6GU#-000201-6000	INNER HEX SCREW M6x25	内六角螺钉M6×25	4		
32	6GU#-156000-6000	WIRE PROTECTOR	线束护套	1		2020/9/16

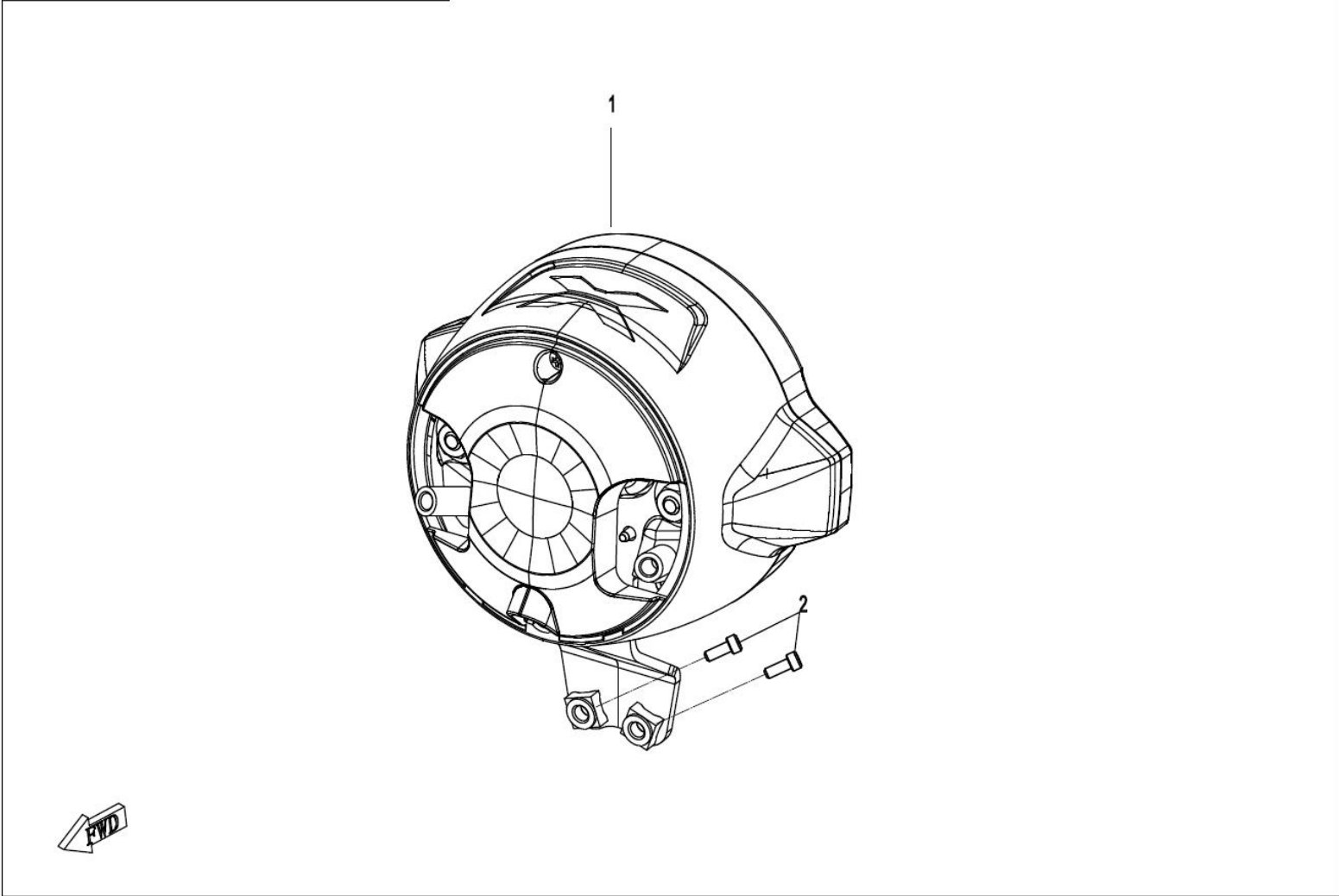
灯具/LIGHTS



F16 灯具 LIGHTS

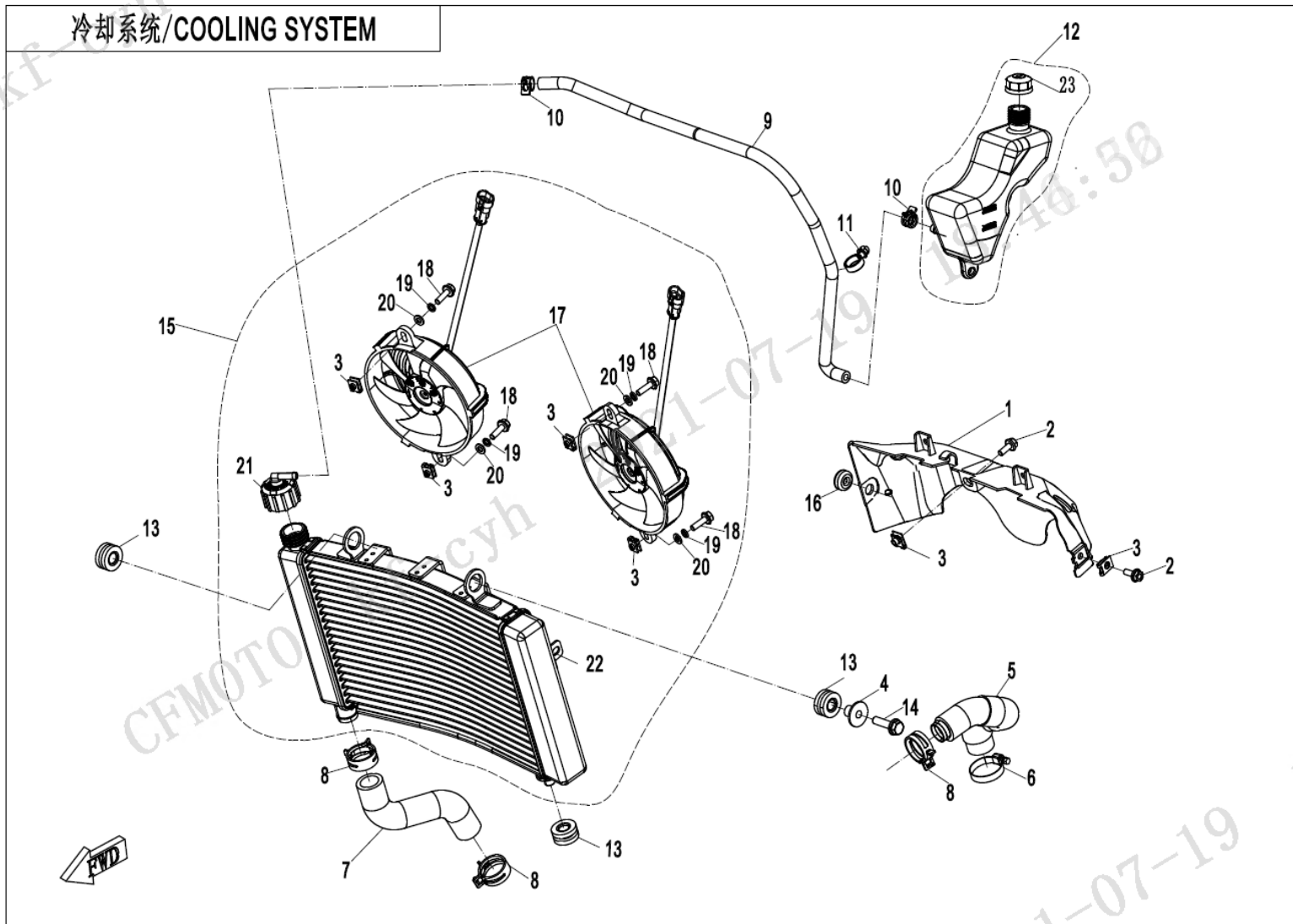
Item No.	Parts Number	Parts Name(EN)	Parts Name(CN)	Qty	Specification	Effective
01	30006-060025870	BOLT M6x25	螺栓	1	M6x25	
02	30110-350095010	SCREW	自攻螺钉	2	ST3.5x9.5	
03	6GU#-160410-6002	LH FRONT TURN LIGHT	左前转向灯	2		
04	6GU#-160420-6002	RH FRONT TURN LIGHT	右前转向灯	2		
05	6GUV-160110-8000	HEADLIGHT	前照灯	1		
06	6GUV-162100-6003	TAIL LIGHT ASSY	尾灯组合	1		
07	6FIV-160600-6601	LICENSE LIGHT	牌照灯	1		
08	6KM0-160230-00001	REAR REFLECTOR	后反射器	1		
09	8030-040800-00001	NUT CLIP M6	M6螺母夹	1	M6	

仪表总成/DASHBOARD ASSY



F17 仪表 DASHBOARD

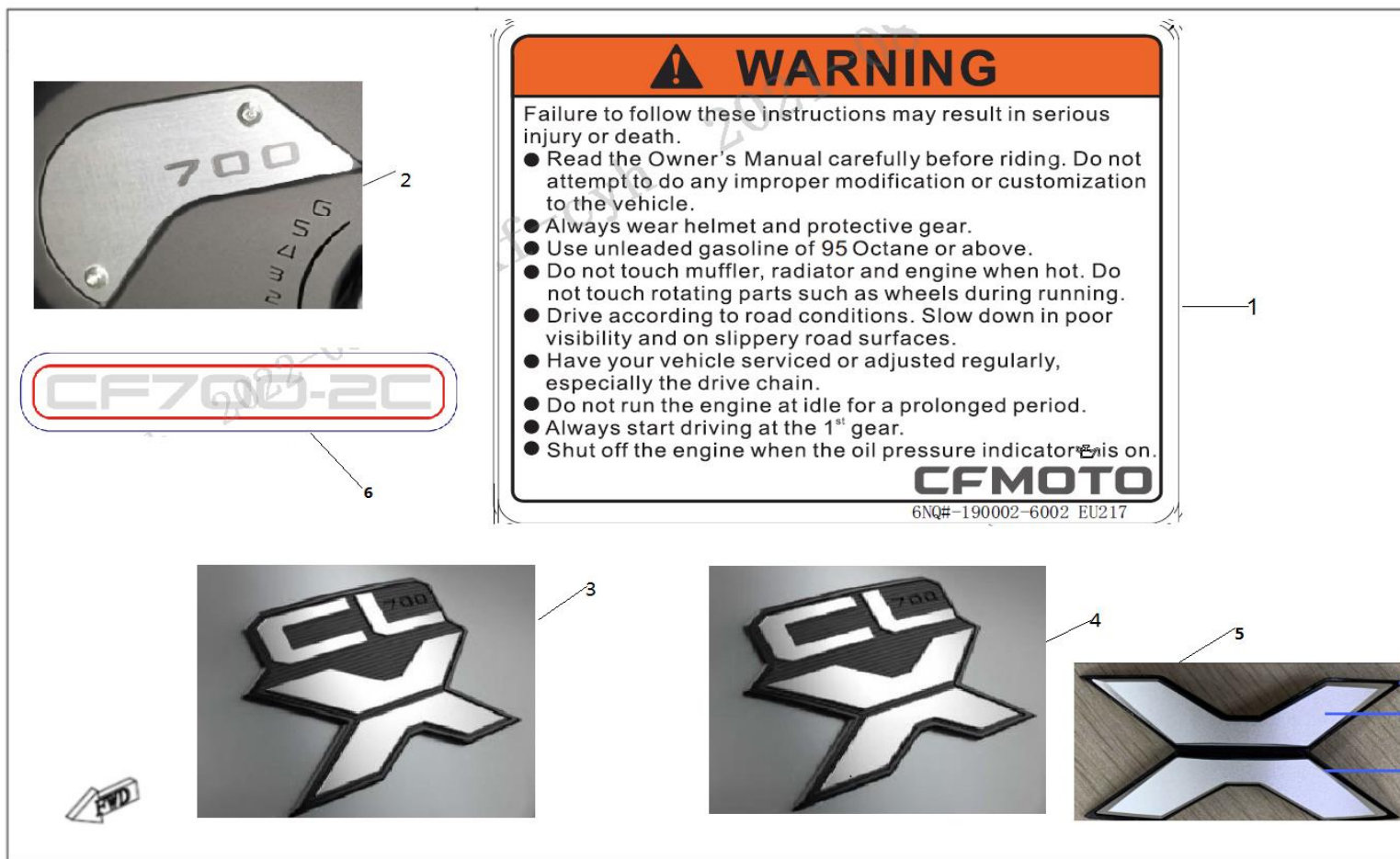
Item No.	Parts Number	Parts Name(EN)	Parts Name(CN)	Qty	Specification	Effective
01	6GUV-171010-8000	LCD DASHBOARD	液晶仪表总成	1		
02	30102-050012810	SCREW M5x12	螺钉	2	M5x12	



F18 冷却系统 COOLING SYSTEM

Item No.	Parts Number	Parts Name(EN)	Parts Name(CN)	Qty	Specification	Effective
01	6GU#-040044-6001	DEFLECTOR, FAN	风扇导流罩	1		
02	30006-060016870	BOLT M6x16	螺栓	2	M6x16	

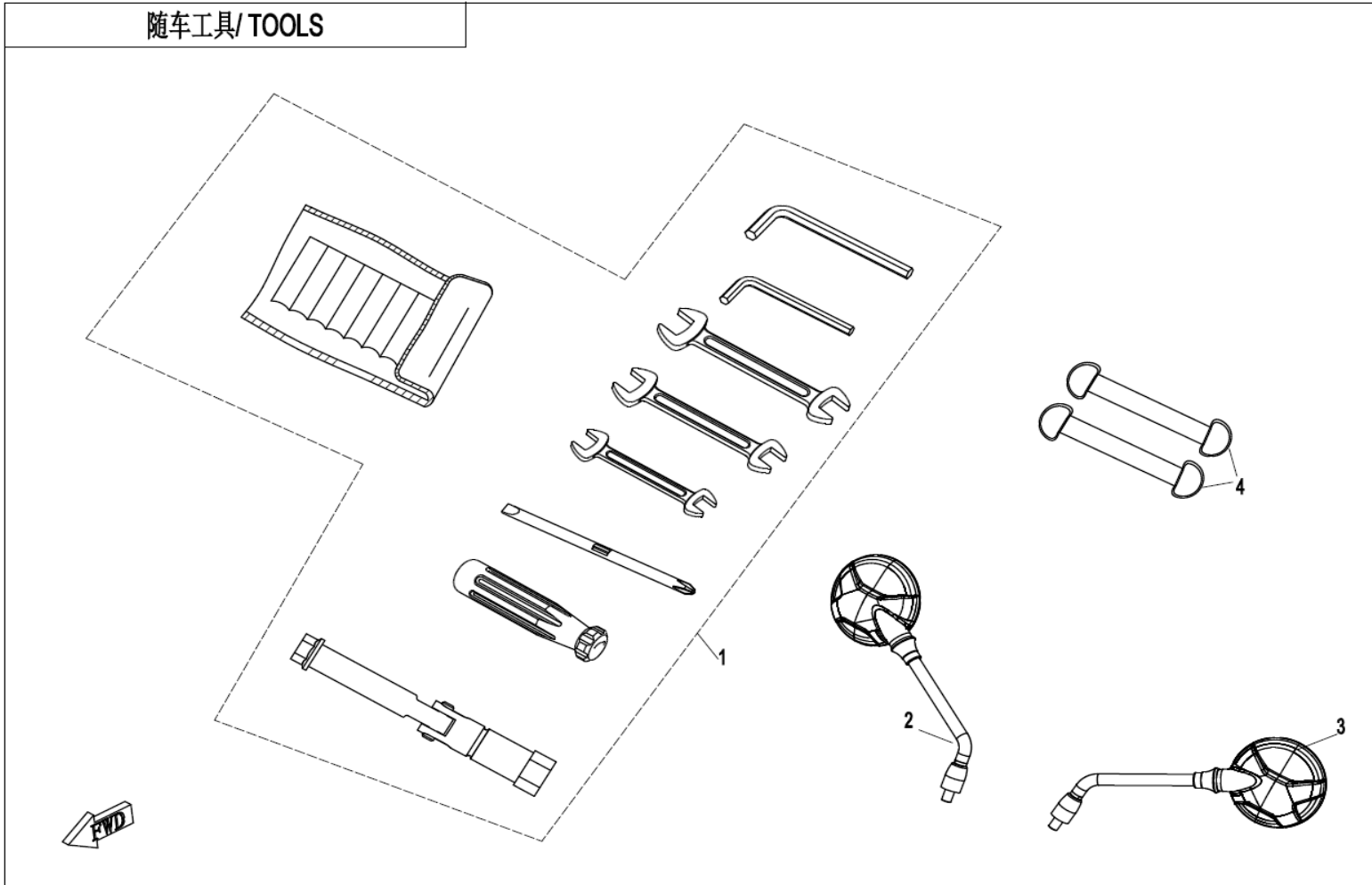
03	8030-040800-00001	NUT CLIP M6	M6螺母夹	6	M6	
04	A000-180010-20000	BUSHING, RADIATOR DAMPER	散热器减震胶垫II衬套	1		
05	6GU#-180001-6000	WATER INLET PIPE, RADIATOR	散热器进水管	1		
06	9010-180007	CLAMP, WATER HOSE	水管卡箍组件	1		
07	A000-180002-20000	WATER OUTLET PIPE, RADIATOR	散热器出水管	1		
08	A000-180006	CLAMP B30	环箍B30	3	B30	
09	6GU#-180003-6000	CONNECTING PIPE, RESERVOIR	副水箱连接管	1		
10	30601-212570	CLAMP	环箍	2		
11	A000-050015	WIRE CLIP, FRONT BRAKE FLUID HOSE	前制动油管夹	1		
12	6GUV-180010-6001	RESERVOIR TANK ASSY	副水箱组合	1		
13	A000-180005	DAMPER2, RADIATOR	散热器减震胶垫II	3		
14	30006-080030870	BOLT M8x30	螺栓	1		
15	6GUV-181000-8000	RADIATOR FAN	散热器风扇组合	1		
16	A000-040302	RUBBER DAMPER	油箱外护罩缓冲橡胶	1		
17	6NTA-181300	FAN MOTOR ASSY	风扇电机组合二	2		
18	30006-060020870	BOLT M6x20	螺栓	4	M6x20	
19	30303-060112	WASHER	垫圈	4	6	
20	30306-060112	WASHER	垫圈	4	6	
21	6GUV-181010-6001	FILLER CAP ASSY	加水口盖组合	1		
22	6GUV-181100-8000	RADIATOR ASSY	散热器焊接组件	1		
23	6KM#-180210-8000	RESERVOIR TANK CAP ASSY	副水箱盖组合	1		



F19-1 警告贴花 WARNING DECAL KITS

Item No.	Parts Number	Parts Name(EN)	Parts Name(CN)	Qty	Specification	Effective
01	6NQ#-190002-6002	INSTRUCTION LABEL, SAFETY WARNING	安全警告说明标题	1		
02	6GU#-190001-6000	LABEL, SPROCKET GUARD	链轮罩标牌	1		
03	6GU#-190002-6000	LH LABEL, FUEL TANK	油箱左标牌	1		
04	6GU#-190003-6000	RH LABEL, FUEL TANK	油箱右标牌	1		
05	6GUV-190102-8000	DECAL, FRONT FENDER DECO COVER	前挡泥板装饰盖贴花	1		
06	6GUV-190101-8000	MODEL DECAL	型号贴花	2		

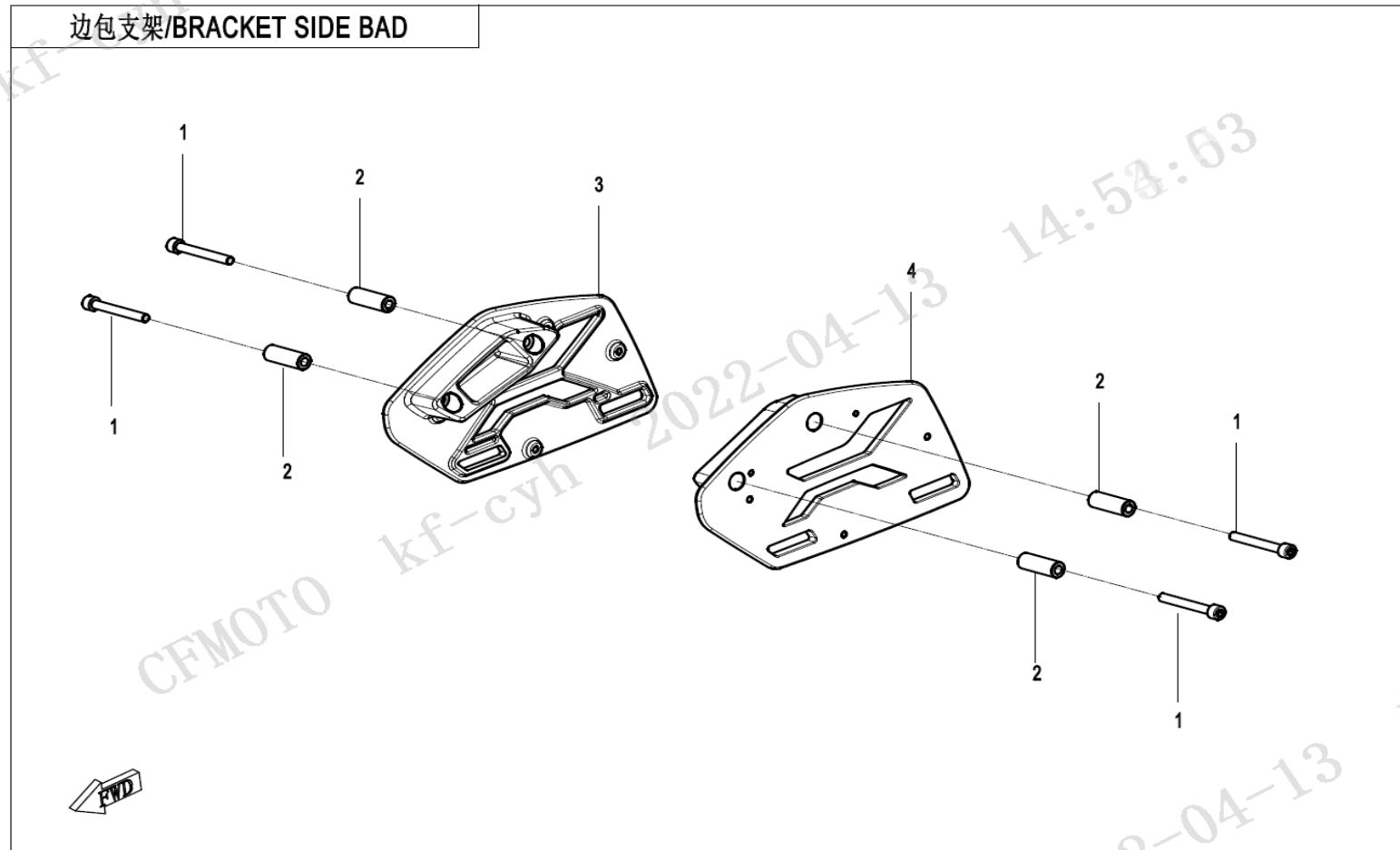
随车工具/TOOLS



F20 随车工具 TOOLS

Item No.	Parts Number	Parts Name(EN)	Parts Name(CN)	Qty	Specification	Effective
02	6GUV-200400-6001	RH REAR VIEW MIRROR	右后视镜总成	1		2022/3/22
03	6GUV-200300-6001	LH REAR VIEW MIRROR	左后视镜总成	1		2022/3/22
04	8010-000012	TIE BAND ASSY	弹性扣带组件	2		

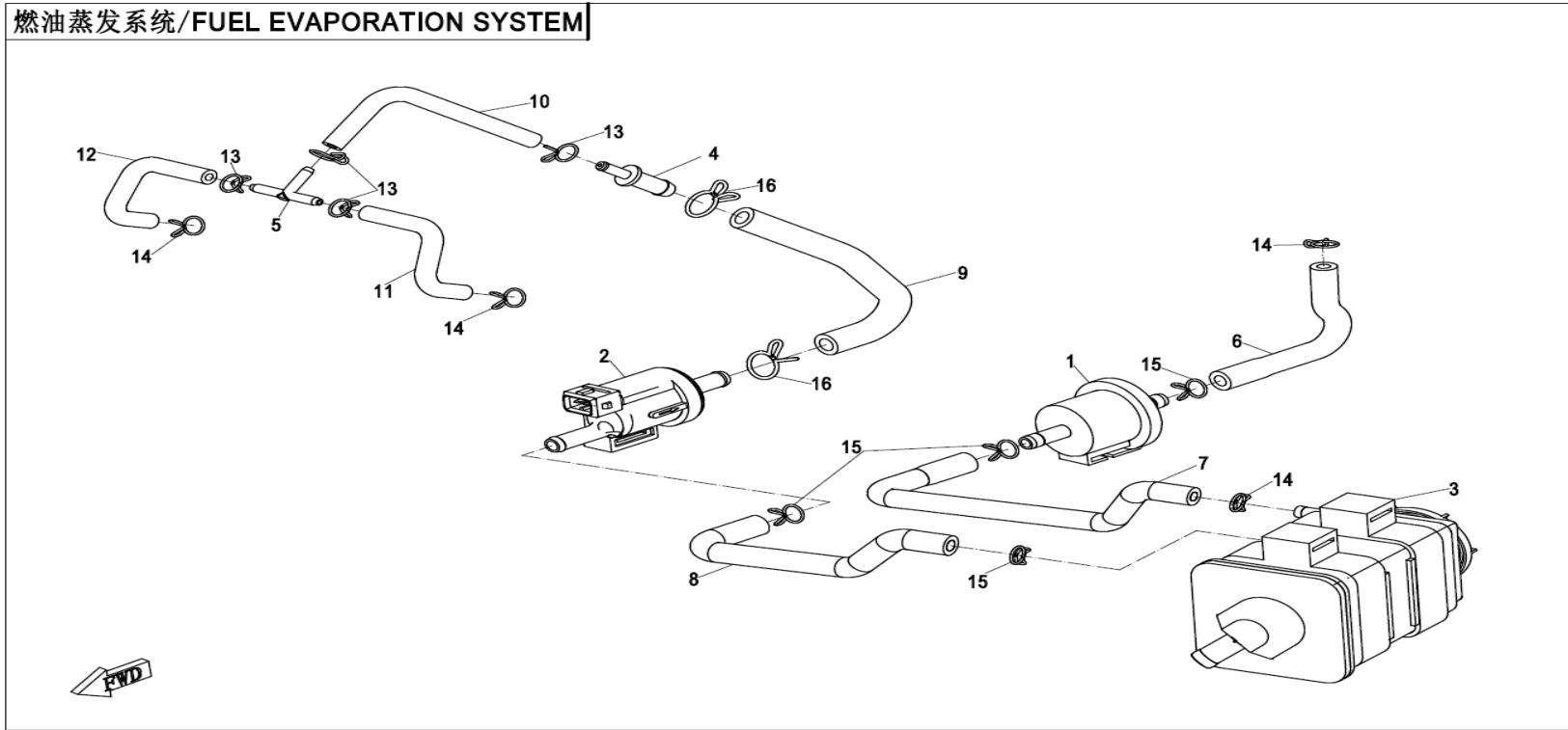
边包支架/BRACKET SIDE BAD



F22 边包支架 BRACKET SIDE BAD

Item No.	Parts Number	Parts Name(EN)	Parts Name(CN)	Qty	Specification	Effective
01	30102-080060810	SCREW M8x60	螺钉	4	M8x60	
02	6GUV-220003-8000	BUSHING 40x15x8	衬套40×15×8	4	40x15x8	
03	6GUV-220002-8000-0BP00	BRACKET, RH SIDE BAD	右边包支架	1		
04	6GUV-220001-8000-0BP00	BRACKET, LH SIDE BAD	左边包支架	1		

燃油蒸发系统/FUEL EVAPORATION SYSTEM

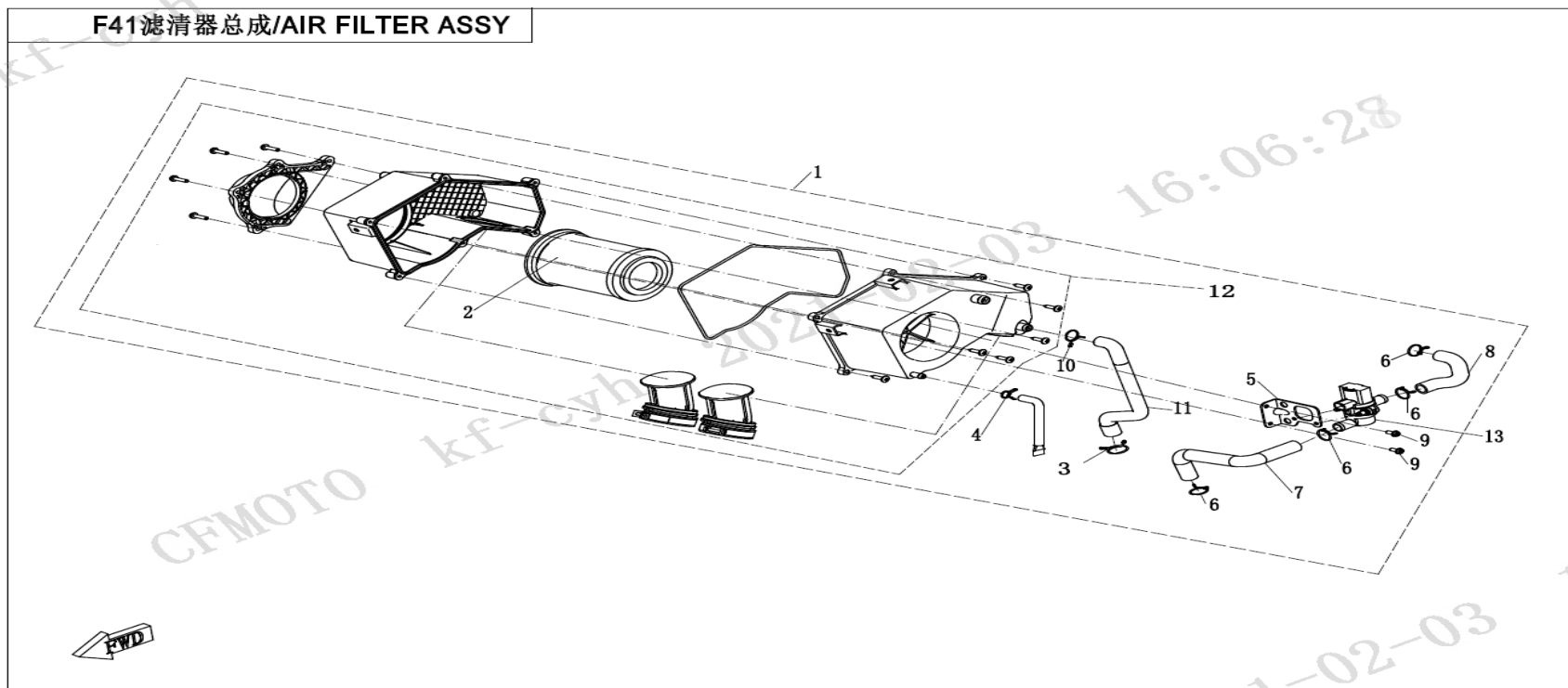


F36 燃油蒸发系统 FUEL VAPORIZATION SYSTEM

Item No.	Parts Number	Parts Name(EN)	Parts Name(CN)	Qty	Specification	Effective
01	9GQ0-360100	TWO-WAY VALVE	双向阀	1		
02	1F30-172000	CANISTER MAGNETIC VALVE	碳罐电磁阀	1		
03	6L30-360200	CANISTER	碳罐	1		
04	8010-180018	JOINT, HEAT TRANSMIT PIPE	传热水管接头	1		
05	8010-360001	VACUUM T-JOINT	负压三通接头	1		
06	6GU#-360001-6001	FUEL ADSORPTION HOSE	燃油吸附管	1		
07	6GU#-360002-6000	FUEL VAPOR HOSE 1	燃油蒸发管I	1		
08	6GUV-360003-6001	FUEL VAPOR HOSE 2	燃油蒸发管II	1		
09	6GU#-360004-6000	FUEL VAPOR HOSE 3	燃油蒸发管III	1		
10	6GU#-360005-6000	FUEL VAPOR HOSE 4	燃油蒸发管IV	1		
11	6GU#-360007-6000	LH FUEL DESORPTION PIPE	左燃油脱附管	1		
12	6GU#-360008-6000	RH FUEL DESORPTION PIPE	右燃油脱附管	1		
13	30601-108010	CLAMP A8	环箍A8	4	A8	
14	30601-110010	CLAMP A10	环箍	4	A10	

15	30601-111010	CLAMP A11	环箍A11	4	A11	
16	30601-112010	CLAMP A12	环箍	2	A12	

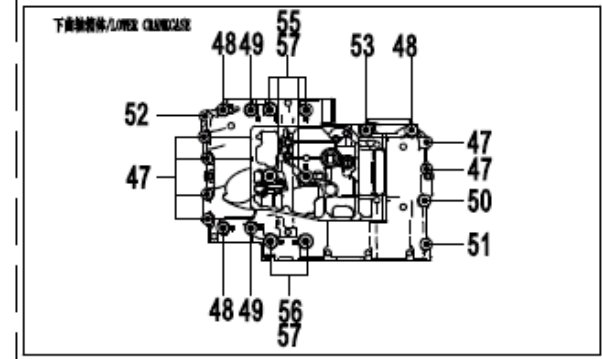
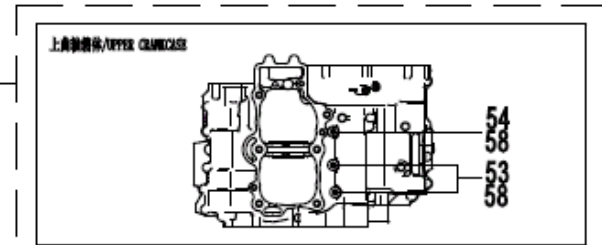
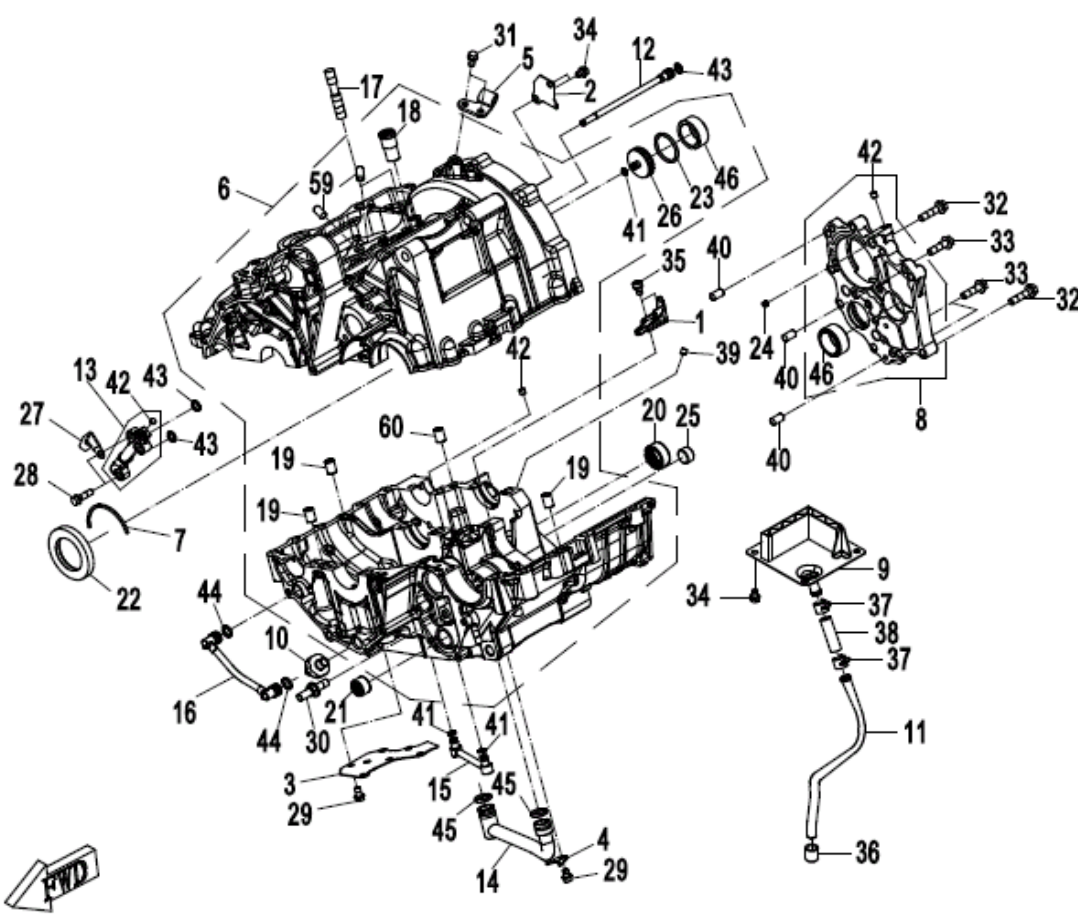
F41滤清器总成/AIR FILTER ASSY



F41 空滤器 AIR FILTER

Item No.	Parts Number	Parts Name(EN)	Parts Name(CN)	Qty	Specification	Effective
02	0HU0-111100	FILTER ELEMENT	滤芯组件	1		
03	30601-120030	CLAMP A20	环箍A20	1	A20	
04	30601-110010	CLAMP A10	环箍	1	A10	
05	0HU0-110010	BRACKET, SECONDARY GULP VALVE	二次补气阀支架组合	1		
06	30601-117020	CLAMP	环箍A17_QC/T621_A17	4	A17	
07	0HU0-110002-10000	AIR OUTLET PIPE, GULP VALVE	补气阀出气管	1		
08	0HU0-110001-10000	AIR INLET PIPE, GULP VALVE	补气阀进气管	1		
09	30112-050012410	SCREW ASSY M5x12	螺钉组合件	2	M5x12	
10	30601-118021	CLAMP A18	环箍A18	1	A18	
11	0HU0-111006-10000	AIR OUTLET PIPE, CRANKCASE	曲轴箱出气管	1		
12	0HU0-111000-10000	AIR FILTER ASSY	空气滤清器组合	1		
13	0HU0-179000	GULP VALVE	二次补气阀	1		

E01-1 上和下曲轴箱分总成/UPPER & LOWER CRANKCASE

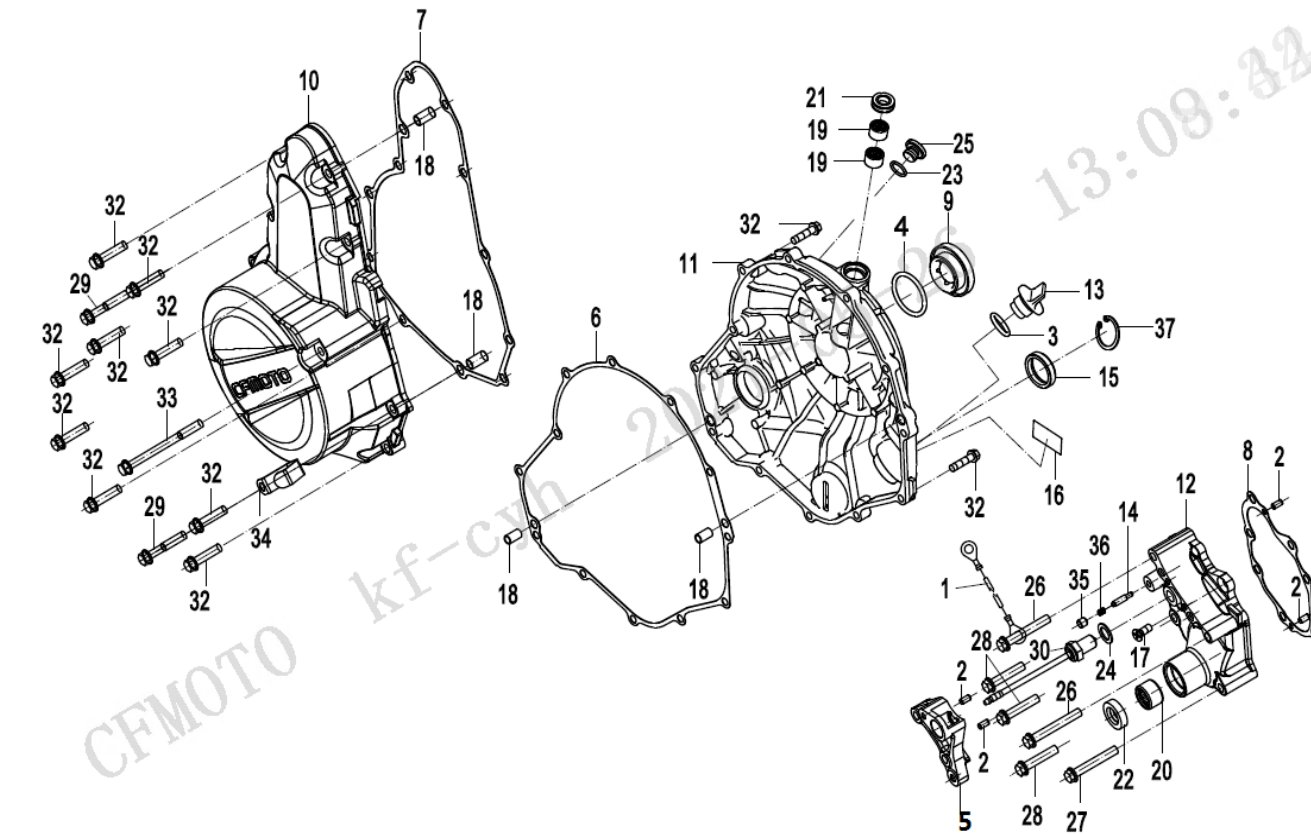


E01-1 上&下曲轴箱分总成 UPPER & LOWER CRANKCASE

Item No.	Parts Number	Parts Name(EN)	Parts Name(CN)	Qty	Specification	Effective
01	0HU0-012300	PLATE,OIL SHIELDING	油室分隔板组件	1		
02	0700-011104	GUARD, BREATHER	呼吸器挡板	1		
03	0700-012006	PLATE, LOWER CRANKCASE	下箱体盖板	1		
04	0700-070001	PLATE, OIL PIPE1	过油管I压板	1		
06	0HU0-0100A0-0BP00	CRANKCASE ASSY	曲轴箱合件_莫德灵黑	1		
07	0700-010001	RING 62, BEARING	轴承止动环62	1		
08	0HU0-0660A0	GEARSHIFT COVER	变档室盖合件	1		
09	0700-011410	BREATHER ASSY	呼吸器焊接合件	1		
10	0700-012500	SWITCH, OIL PRESSURE	机油低压报警开关	1		
11	0700-011402-1000	OIL RETURN HOSE	回油管	1		
12	0700-011310	OIL PIPE 5	过油管V合件	1		
13	0700-0112A0-1BP00	OIL PIPE 4	过油管IV合件_莫德林黑	1	MAUD SPIRIT BLACK	
13	0700-0112A0-1BY00	OIL PIPE 4	过油管IV合件_纳米黑	1	NANO BLACK	
14	0700-070300	OIL PIPE 1	过油管I合件	1		
15	0700-012210	OIL PIPE 3	过油管III合件	1		
16	0700-012710	OIL PIPE 2	过油管II合件	1		
17	0700-011102-00001	STUD M10x57	双头螺柱	1		
18	0700-011103	PIPE BREATHER	呼吸器通气管	1		
19	30410-01000	ROLLER 10x14	圆柱滚子10X14	3	10X14	
20	30403-02200	NEEDLE BEARING HK2212	滚针轴承HK2212	1	HK2212	
21	30403-01300	NEEDLE BEARING HK1312	滚针轴承HK1312	1	HK1312	
22	0700-010200	OIL SEAL 40x62x8, COUNTERSHAFT	副轴油封	1	40x62x8	
23	0700-011112	O-SEAL RING 29x2.5	O形密封圈	1	29x2.5	
24	0700-066006-00002	OIL LIMIT PLUG	限油螺咀	1		
25	0700-012105-00001	PLUG, MAIN OIL RAIL	主油道锥堵	1		
26	0HU0-011106	PLUG, UPPER CRANKCASE	上箱油堵	1		
27	0180-014010	WIRE CLIP	线夹组合	1		
28	0010-080013-0010	BOLT M6x22	螺栓	2	M6x22	2021/1/7
29	0010-080010-00001	BOLT	螺栓M6×10	7		
30	0700-012107-00001	DOWEL PIN, TRANSMISSION SPRING	换挡轴扭簧定位销	1		
31	0010-021019-0010	BOLT M6x12	螺栓	2	M6x12	
32	0700-066004-00001	BOLT M7x30	螺栓	6	M7x30	
33	0700-066007-00001	BOLT M7x26	螺栓M7×26	3		

34	0700-011105-00002	BOLT	螺栓	6		
35	0700-012012-00002	SCREW	螺钉	2		
36	0700-011403	DAMPER, OIL RETURN HOSE	回油管减震橡胶套	1		
37	30601-211550	STEEL BAND CLAMP B11.5	钢带管箍B11.5	2	B11.5	
38	0700-011401	CONNECTING PIPE BREATHER	呼吸器连接管	1		
39	0700-012104-00002	SCREW PLUG M6, OIL PASSAGE	油道螺堵M6	1	M6	
40	0700-022018	SOLID PIN 8x14	实心销	3	8x14	
41	0700-012201	O-SEAL RING 5x2	O形密封圈	3	5x2	
42	0700-066005	PLUG 6	堵头6	2	6	
43	0700-011202	O-SEAL RING	O型密封圈	3	8.2x1.90	
44	0700-012701	O-SEAL RING	O型密封圈10x2	2	10x2	
45	0700-070003	O-SEAL RING 14x2.5	O形密封圈	2	14x2.5	
46	0HU0-011107	SHAFT SLEEVE	轴套	2		
47	0700-012007-00001	BOLT M7x40	螺栓	6	M7x40	
48	0700-012004-00002	BOLT	螺栓	3		
49	0700-012003-00002	BOLT	螺栓	2		
50	0700-012011-00001	BOLT M8x50	螺栓	1	M8x50	
51	0700-012009-00001	BOLT M7x34	螺栓	1	M7x34	
52	0700-012005-00001	BOLT M7x47	螺栓	1	M7x47	
53	0700-011001-00001	BOLT M8x110	螺栓	3	M8x110	
54	0700-011002-00001	BOLT M8x120	螺栓	1	M8x120	
55	0700-012001-00002	BOLT	螺栓	4		
56	0700-012008-00001	BOLT M9x83	螺栓	2	M9x83	
57	0700-012002	WASHER	垫圈	6	9.2x19x2.3	
58	0010-022012	WASHER 8	垫圈8	3	8	
59	0800-011400	NOZZLE VALVE ASSY	喷嘴阀组件	2		
60	01A0-056004	DOWEL PIN	定位销φ6×12	1	6x12	

右&左侧盖分总成/ RIGHT&LEFT SIDE COVER



13:08:32

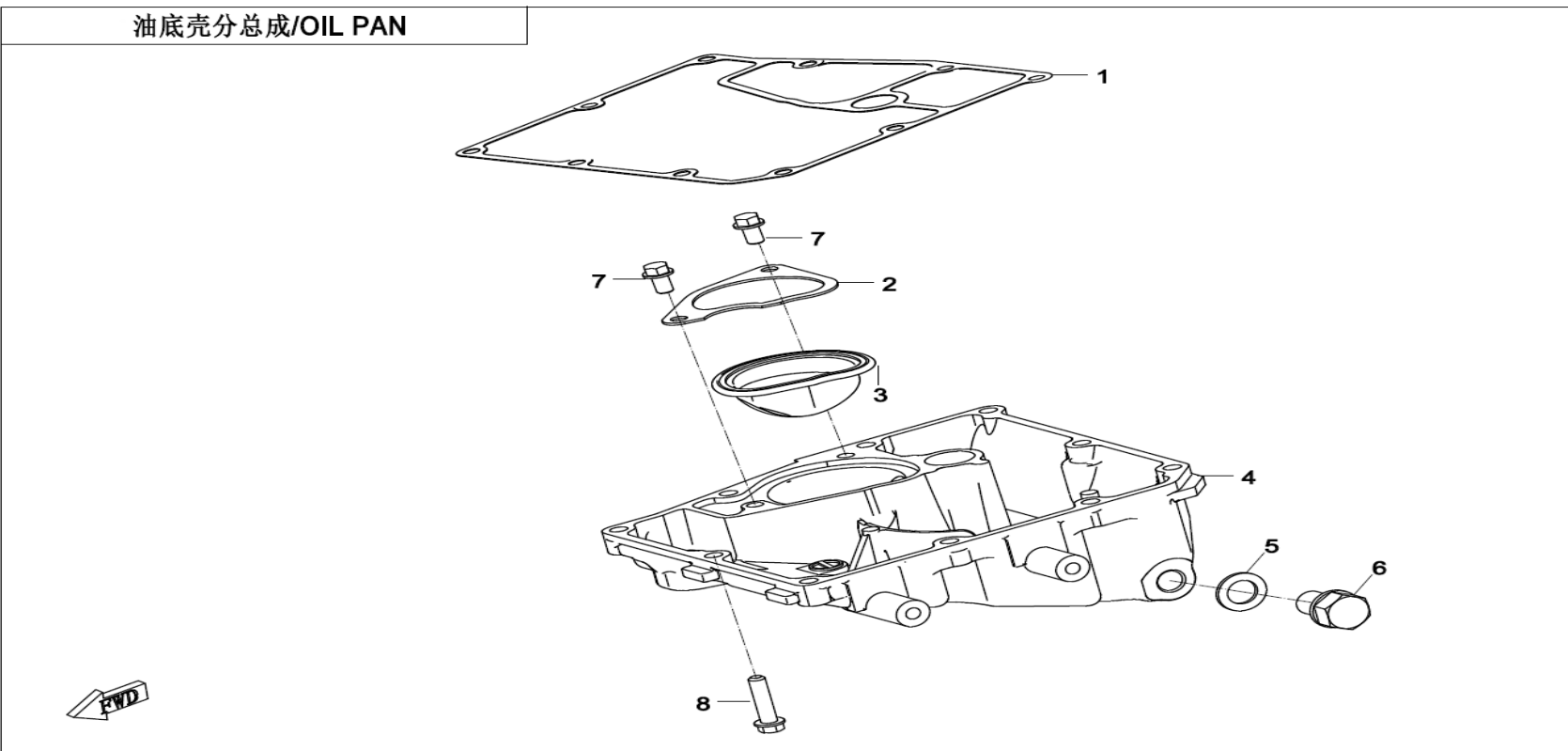
21-05-26

E01-2-A 右&左侧盖分总成 RIGHT&LEFT SIDE COVER

Item No.	Parts Number	Parts Name(EN)	Parts Name(CN)	Qty	Specification	Effective
01	0700-065205	GROUND CABLE, AUXILIARY	辅助接地线	1		
02	30406-00401	ROLLER NEEDLE P4x7.8	滚针P4x7.8	4	P4x7.8	
03	0110-013030	O-SEAL RING 18x3.55	O形密封圈	1	18x3.55	
04	01A0-012003	O-SEAL RING 35x3.5	O形密封圈	1	35x3.5	
06	0700-013002-10000	GASKET, RH SIDE COVER	右侧盖密封垫	1		2018/1/29
07	0700-014002-10000	GASKET, LH SIDE COVER	左侧盖密封垫	1		2018/1/29
08	0700-065202-10000	GASKET, TRANSMISSION COVER	换挡轴盖垫片	1		2018/1/29
09	01A0-012002-0BY00	STRAINER COVER	滤网盖	1		
09	01A0-012002-0BP00	STRAINER COVER	滤网盖	1	MAUD SPIRIT BLACK	
09	0HUV-013011-1100	PLUG, RH SIDE COVER	右侧盖堵盖	1		2022/07/15
10	0HUV-014001-1000-0BY00	LH SIDE COVER	左侧盖	1	NANO BLACK	
10	0HUV-014001-1000-0BP00	LH SIDE COVER	左侧盖	1	MAUD SPIRIT BLACK	
11	0HU0-013001-1BP00	RH SIDE COVER	右侧盖	1	MAUD SPIRIT BLACK	
11	0HU0-013001-1BY00	RH SIDE COVER	右侧盖	1	NANO BLACK	
12	0700-065201-4BP01	GEARSHIFT COVER	换挡轴盖	1	MAUD SPIRIT BLACK	
12	0700-065201-4BY01	GEARSHIFT COVER	换挡轴盖	1	NANO BLACK	
13	0700-013008	PLUG, OIL FILLING	加油塞	1		
14	0700-065204	CONTACTOR	球形触头	1		
15	0700-013100-00001	VIEWER, OIL LEVEL	油面观察窗组合	1		2018/07/07
16	0700-013005-30000	LABEL, OIL CAPACITY	加油说明标签	1	SHORT, ENGLISH	
16	0700-013005-20000	LABEL, OIL CAPACITY	加油说明标签	1	SHORT, CHINESE	
17	30128-060016830	SCREW M6x16	螺钉	1	M6x16	
18	0010-080008	DOWEL PIN	定位销Φ8X14	4	8X14	
19	30403-01200	NEEDLE BEARING HK1210	滚针轴承HK1210	2	HK1210	
20	30403-01300	NEEDLE BEARING HK1312	滚针轴承HK1312	1	HK1312	
21	0010-080009	OIL SEAL	油封	1	12x20x5	
22	0700-065220	OIL SEAL 13x22x5.5	油封	1	13x22x5.5	
23	01A0-013005	O-SEAL RING	O形密封圈	1	13x2	
24	0010-060010	WASHER 10	垫圈10	1	10	
25	0700-013003-10000	HOLE CAP, TIMING INSPECTION	正时观察孔盖	1		
26	0180-013208-0010	BOLT M6x45	螺栓	2	M6x45	
27	0010-013009-0010	BOLT M6x40	螺栓	1	M6x40	

28	0010-060012-0010	BOLT M6x30	螺栓	3	M6x30	
29	0010-013008-0010	BOLT M6x35	螺栓	2	M6x35	
30	0700-065210	REVERSE SENSOR ASSY	倒档传感器组件	1		2018/01/31
31	0010-023010-0010	BOLT M6x20	螺栓	3	M6x20	
32	0010-021017-0010	BOLT M6x25	螺栓	23	M6x25	
33	0020-011018-00001	BOLT	螺栓	1		
34	0700-014003	WIRE CLIP	线夹	1		
35	0700-066005	PLUG 6	堵头6	1	6	
36	0700-065203	SPRING	弹簧	1		
37	0HU0-013009	RETAINER	钢丝挡圈	1		

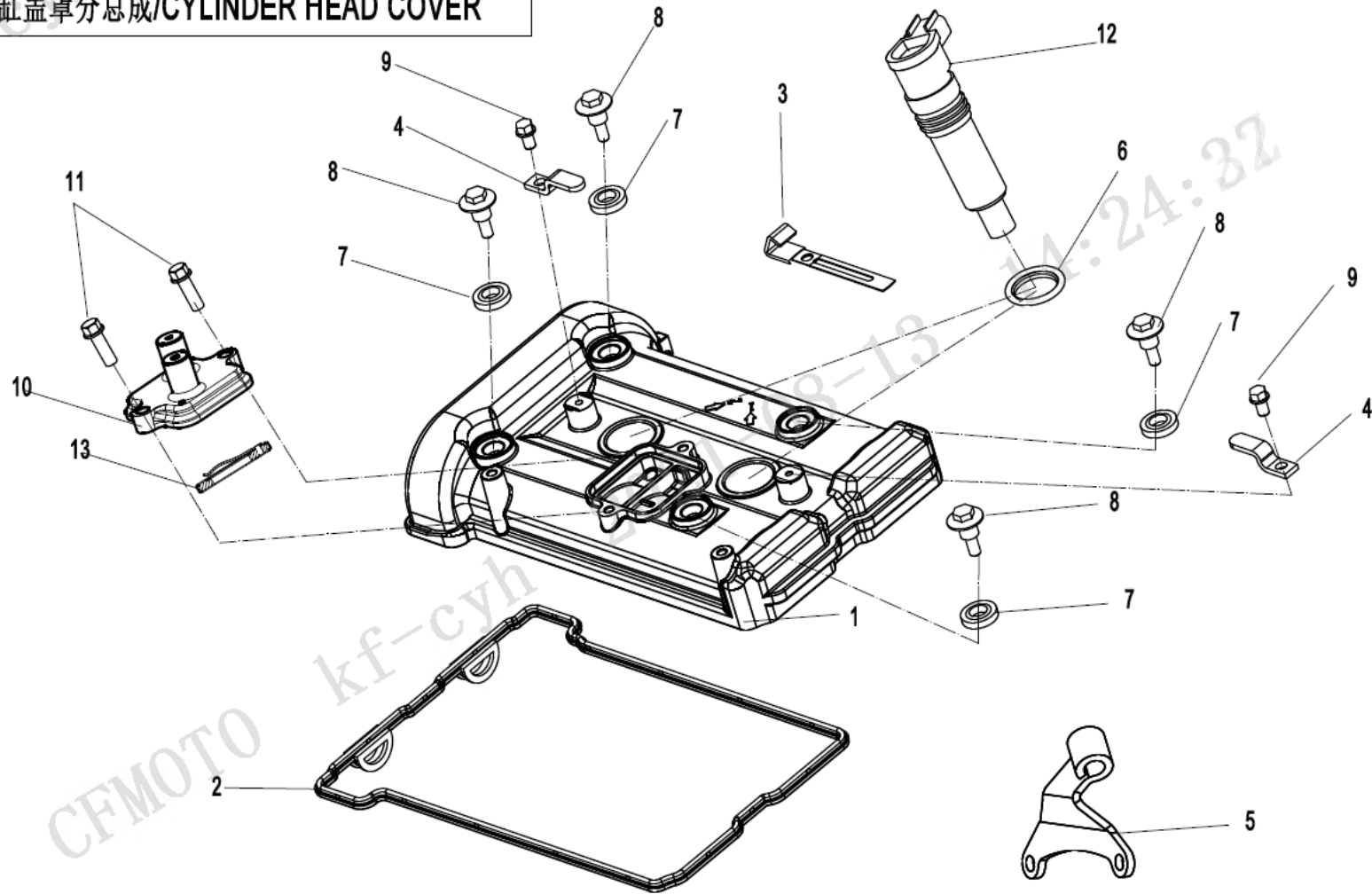
油底壳分总成/OIL PAN



E01-3 油底壳分总成 OIL PAN

Item No.	Parts Number	Parts Name(EN)	Parts Name(CN)	Qty	Specification	Effective
01	0700-015004-10000	GASKET, OIL PAN	油底壳垫片	1		2018/1/29
02	0700-015003	HOLDER, OIL STRAINER	机油粗滤网压板	1		
03	0700-015002	OIL STRAINER	机油粗滤网	1		
04	0HU0-015001-1BP02	OIL PAN	油底壳	1	NANO BLACK	2022/08/15
05	0010-021014	WASHER 12	垫圈12	1	12	
06	0180-011500	DRAIN BOLT, MAGNETIC M12X1.5	磁性放油螺栓	1	M12x1.5	
07	0010-080010-00001	BOLT	螺栓M6×10	2		
08	0010-021017-0010	BOLT M6x25	螺栓	10	M6x25	

气缸盖罩分总成/CYLINDER HEAD COVER

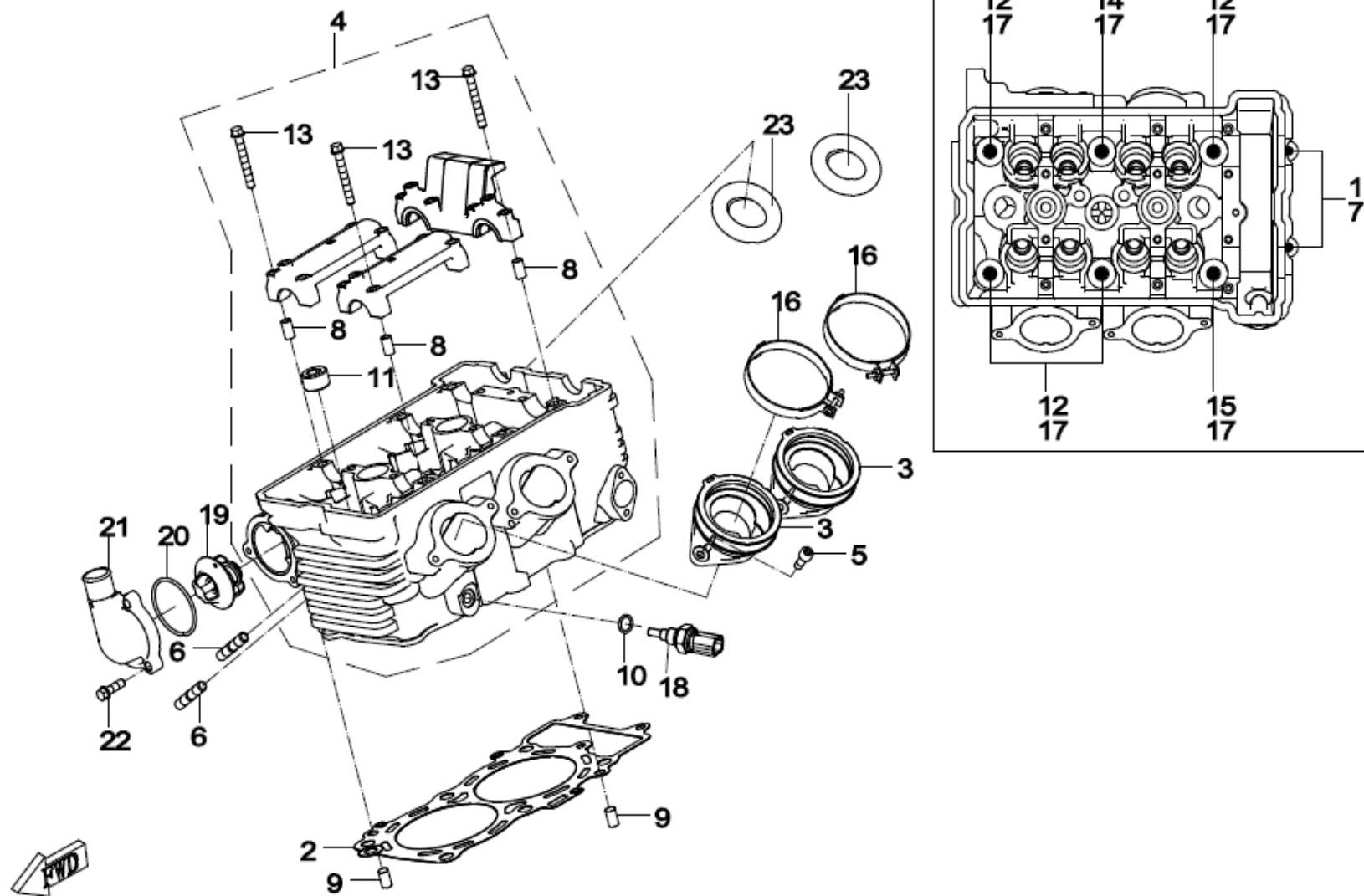


01-08-13 1

E02-1 气缸盖罩分总成 CYLINDER HEAD COVER

Item No.	Parts Number	Parts Name(EN)	Parts Name(CN)	Qty	Specification	Effective
01	0HU0-021001-1BP00	CYLINDER HEAD COVER	气缸盖罩	1		2022/1/5
02	0700-021400-00010	SEAL RING, CYLINDER HEAD COVER	气缸盖罩密封圈	1	SHU YAUN MACHINE	
03	0180-014010	WIRE CLIP	线夹组合	1		
04	0700-021005	PRESS PLATE	压板	2		
05	0HU0-013002-2BP00	BRACKET, CLUTCH CABLE	离合器拉线支架	1		2021/7/28
06	0HU0-021300	SEAL RING, SPARK PLUG	火花塞孔密封圈组件	2		
07	0700-021200	SEAL RING, CYLINDER HEAD COVER BOLT	气缸盖罩螺栓密封圈	4		
08	0700-021003-00001	BOLT, CYLINDER HEAD COVER	气缸盖罩螺栓	4		
09	0010-021019-0010	BOLT M6x12	螺栓	2	M6x12	
10	0HU0-021004-1BP00	CAP, ONE-WAY VALVE	单向阀盖	1	MAUD SPIRIT BLACK	
11	0010-023010-0010	BOLT M6x20	螺栓	2	M6x20	
12	0700-178000	IGNITION COIL	点火线圈	2		
13	0MQB-021100-20001	SPRING VALVE ASSY	簧片阀组合	1		2022/10/6

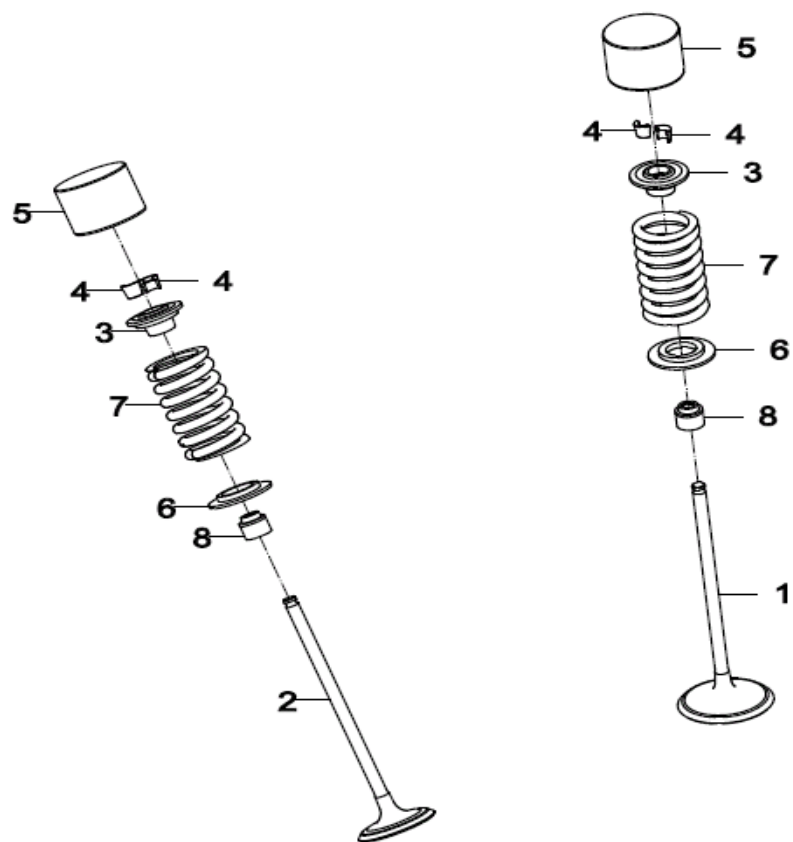
E02-2 气缸盖分总成(1)/CYLINDER HEAD(1)



E02-2 气缸盖分总成 (1) CYLINDER HEAD (1)

Item No.	Parts Number	Parts Name(EN)	Parts Name(CN)	Qty	Specification	Effective
01	0HU0-022002	INNER HEX SCREW M6x30	内六角圆柱头螺钉M6×30	2		
02	0700-022100-0001	GASKET KIT, CYLINDER HEAD	气缸盖垫片组件	1		
03	0700-022320-1000	AIR INLET PIPE	进气管组件	2		
04	0HU0-022200-3BP00	CYLINDER	气缸盖部件	1		
05	30102-060016810	SCREW	螺钉M6×16	4		
06	0180-022003-00001	STUD	双头螺栓	4		
07	0060-030004-0030	WASHER 6x10.4x1.6	垫圈	2	6x10.4x1.6	
08	0010-080008	DOWEL PIN	定位销Φ8X14	6	8X14	
09	0700-022018	SOLID PIN 8x14	实心销	2	8x14	
10	0700-022019	WASHER	垫圈	1	12.5x20x1	
11	0700-022236	PLUG, PT1/2	锥堵1/2	3		
12	0700-022013-00001	BOLT M10x158, CYLINDER HEAD	气缸盖螺栓	4	M10x158	
13	0700-022204	HEX FLANGE BOLT M6x45	六角法兰面螺栓	12	M6X45	
14	0700-022014-10001	BOLT M10x176, CYLINDER HEAD	气缸盖螺栓	1	M10x176	2019/04/01
15	0700-022015-00002	BOLT, CYLINDER HEAD	气缸盖螺栓	1		
16	0700-022330	CLAMP, AIR INLET PIPE	进气管卡箍组件	2		
17	0700-022016	WASHER 10.5x19x2.3	垫圈	6	10.5x19x2.3	
18	018B-022810	WATER TEMPERATURE SENSOR	水温传感器	1		
19	0700-022500-0001	THERMOSTAT	调温器	1		
20	0700-022011	O-SEAL RING 44.5x2.5	O形密封圈	1	44.5x2.5	
21	0HU0-022009-0BP00	THERMOSTAT CAP	节温器盖	1	MAUD SPIRIT BLACK	
21	0HU0-022009-0BY00	THERMOSTAT CAP	节温器盖	1	NANO BLACK	
22	0010-023010-0010	BOLT M6x20	螺栓	3	M6x20	
23	0700-022012	GASKET, EXHAUST PIPE	排气管衬垫	2		

E02-3 气缸盖分总成(2)/CYLINDER HEAD(2)

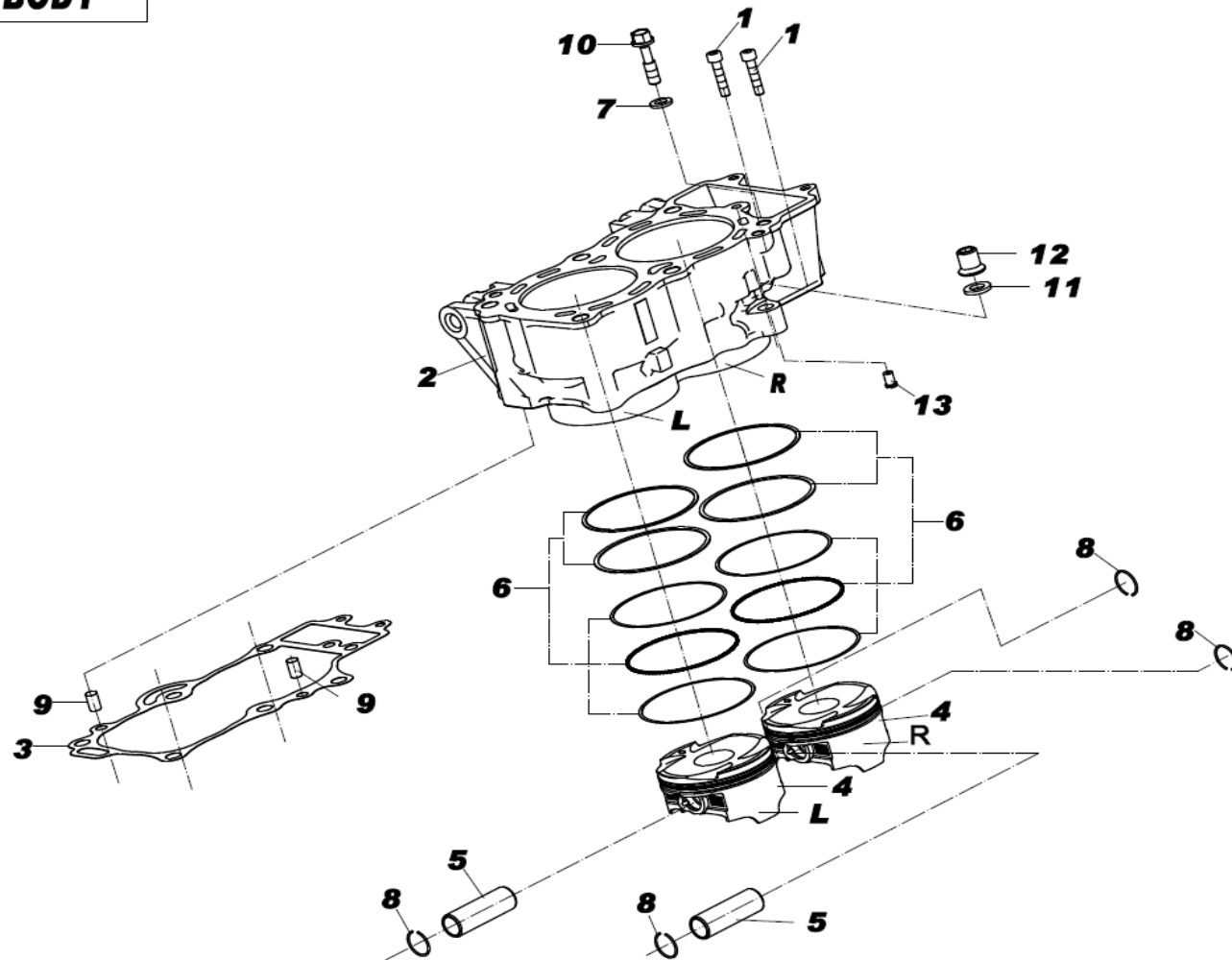


E02-3 气缸盖分总成 (2) CYLINDER HEAD (2)

Item No.	Parts Number	Parts Name(EN)	Parts Name(CN)	Qty	Specification	Effective
01	0700-022001-20000	INTAKE VALVE	进气门	4		2019/3/1
02	0700-022002-20001	EXHAUST VALVE	排气门	4		
03	0700-022003	UPPER SEAT, VALVE SPRING	气门弹簧上座	8		
04	0700-022004	LOCK CLIP, VALVE	气门锁夹	16		
05	0700-022005-10100	TAPPET	挺柱	8	T=3.20	
05	0700-022005-10200	TAPPET	挺柱	8	T=3.22	
05	0700-022005-10300	TAPPET	挺柱	8	T=3.24	
05	0700-022005-10400	TAPPET	挺柱	8	T=3.26	
05	0700-022005-10500	TAPPET	挺柱	8	T=3.28	
05	0700-022005-10600	TAPPET	挺柱	8	T=3.30	
05	0700-022005-10700	TAPPET	挺柱	8	T=3.32	
05	0700-022005-10800	TAPPET	挺柱	8	T=3.34	
05	0700-022005-10900	TAPPET	挺柱	8	T=3.36	
05	0700-022005-11000	TAPPET	挺柱	8	T=3.38	
05	0700-022005-11100	TAPPET	挺柱	8	T=3.40	
05	0700-022005-11200	TAPPET	挺柱	8	T=3.42	
05	0700-022005-11300	TAPPET	挺柱	8	T=3.44	
05	0700-022005-11400	TAPPET	挺柱	8	T=3.46	
05	0700-022005-11500	TAPPET	挺柱	8	T=3.48	
05	0700-022005-11600	TAPPET	挺柱	8	T=3.50	
05	0700-022005-11700	TAPPET	挺柱	8	T=3.52	
05	0700-022005-11800	TAPPET	挺柱	8	T=3.54	
05	0700-022005-11900	TAPPET	挺柱	8	T=3.56	
05	0700-022005-12000	TAPPET	挺柱	8	T=3.58	
05	0700-022005-12100	TAPPET	挺柱	8	T=3.60	
05	0700-022005-12200	TAPPET	挺柱	8	T=3.62	
05	0700-022005-12300	TAPPET	挺柱	8	T=3.64	
05	0700-022005-12400	TAPPET	挺柱	8	T=3.66	
05	0700-022005-12500	TAPPET	挺柱	8	T=3.68	
05	0700-022005-12600	TAPPET	挺柱	8	T=3.70	
05	0700-022005-12700	TAPPET	挺柱	8	T=3.72	

Item No.	Parts Number	Parts Name(EN)	Parts Name(CN)	Qty	Specification	Effective
05	0700-022005-12800	TAPPET	挺柱	8	T=3.74	
05	0700-022005-12900	TAPPET	挺柱	8	T=3.76	
05	0700-022005-13000	TAPPET	挺柱	8	T=3.78	
05	0700-022005-13100	TAPPET	挺柱	8	T=3.80	
05	0700-022005-13200	TAPPET	挺柱	8	T=3.82	
05	0700-022005-13300	TAPPET	挺柱	8	T=3.84	
05	0700-022005-13400	TAPPET	挺柱	8	T=3.86	
05	0700-022005-13500	TAPPET	挺柱	8	T=3.88	
05	0700-022005-13600	TAPPET	挺柱	8	T=3.90	
05	0700-022005-13700	TAPPET	挺柱	8	T=3.92	
05	0700-022005-13800	TAPPET	挺柱	8	T=3.94	
05	0700-022005-13900	TAPPET	挺柱	8	T=3.96	
05	0700-022005-14000	TAPPET	挺柱	8	T=3.98	
05	0700-022005-14100	TAPPET	挺柱	8	T=4.00	
05	0700-022005-14200	TAPPET	挺柱	8	T=4.02	
05	0700-022005-14300	TAPPET	挺柱	8	T=4.04	
05	0700-022005-14400	TAPPET	挺柱	8	T=4.06	
05	0700-022005-14500	TAPPET	挺柱	8	T=4.08	
05	0700-022005-14600	TAPPET	挺柱	8	T=4.10	
05	0700-022005-14700	TAPPET	挺柱	8	T=4.12	
05	0700-022005-14800	TAPPET	挺柱	8	T=4.14	
05	0700-022005-14900	TAPPET	挺柱	8	T=4.16	
05	0700-022005-15000	TAPPET	挺柱	8	T=4.18	
05	0700-022005-15100	TAPPET	挺柱	8	T=4.20	
05	0700-022005-15200	TAPPET	挺柱	8	T=4.22	
05	0700-022005-15300	TAPPET	挺柱	8	T=4.24	
05	0700-022005-15400	TAPPET	挺柱	8	T=4.26	
05	0700-022005-15500	TAPPET	挺柱	8	T=4.28	
06	0700-022006	LOWER SEAT, VALVE SPRING	气门弹簧下座	8		
07	0700-022007-10000	SPRING, VALVE	气门弹簧	8	HANG ZHOU SPRING	
08	0700-022400-1000	SEAL RING, VALVE STEM	气门杆密封圈组件	8		

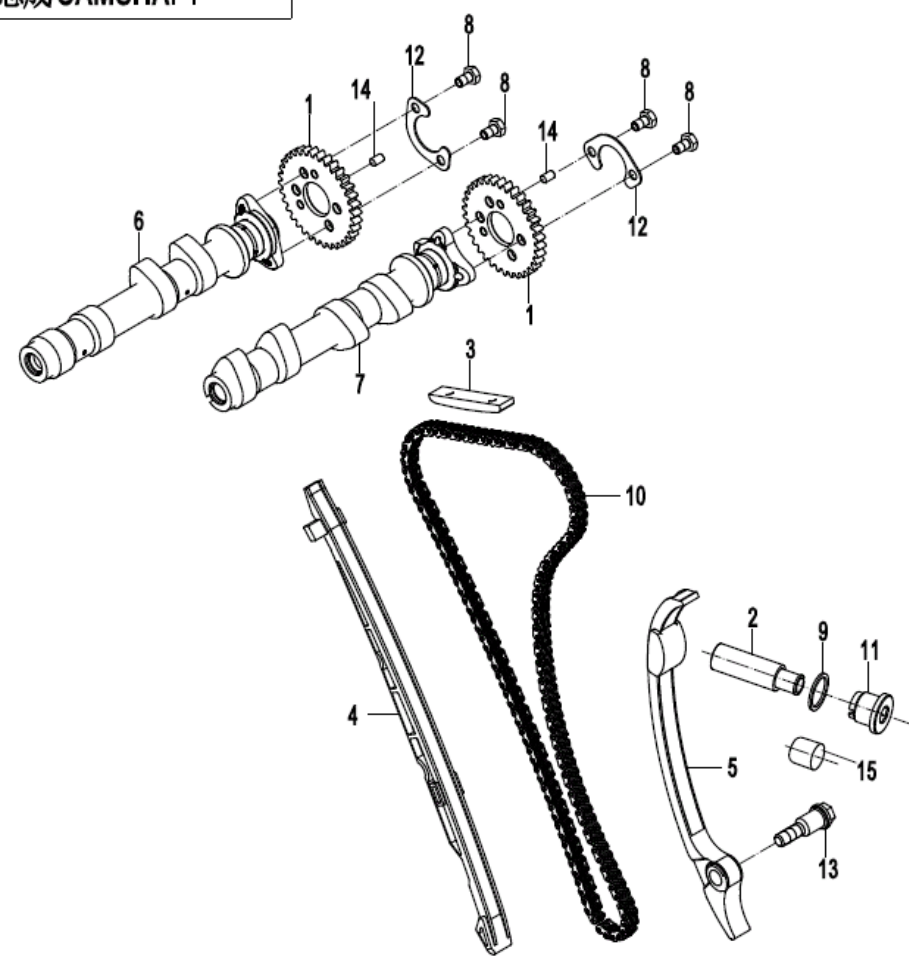
气缸体分总成 **ICYLINDER BODY**



E02-4 气缸体分总成 CYLINDER BODY

Item No.	Parts Number	Parts Name(EN)	Parts Name(CN)	Qty	Specification	Effective
01	0060-030003-00001	INNER HEX BOLT	内六角圆柱头螺栓	2		
02	0HU0-023001-3BY01	CYLINDER	气缸体	1	NANO BLACK	2022/5/23
03	0700-023002-0001	GASKET, CYLINDER	气缸体垫片	1		
04	0HU0-040007-20010	PISTON	活塞	2		2022/5/23
04	0HU0-040007-20020	PISTON	活塞	2		2022/5/23
05	0HU0-040008	PISTON PIN	活塞销	2		
06	0700-0400A0	PISTON RING ASSY	活塞环组合	2		
07	0700-023004	WASHER	垫圈	1	8.5x15.5x2	
08	0700-040009	CIRCLIP, PISTON PIN	活塞销挡圈	4		
09	0700-022018	SOLID PIN 8x14	实心销	2	8x14	
10	0700-023003-00002	BOLT	螺栓	1		
11	0700-022016	WASHER 10.5x19x2.3	垫圈	1	10.5x19x2.3	
12	0700-011111-00002	NUT	螺母	1		
13	0700-023005	RESTRICTION PLUG	节流塞	1		

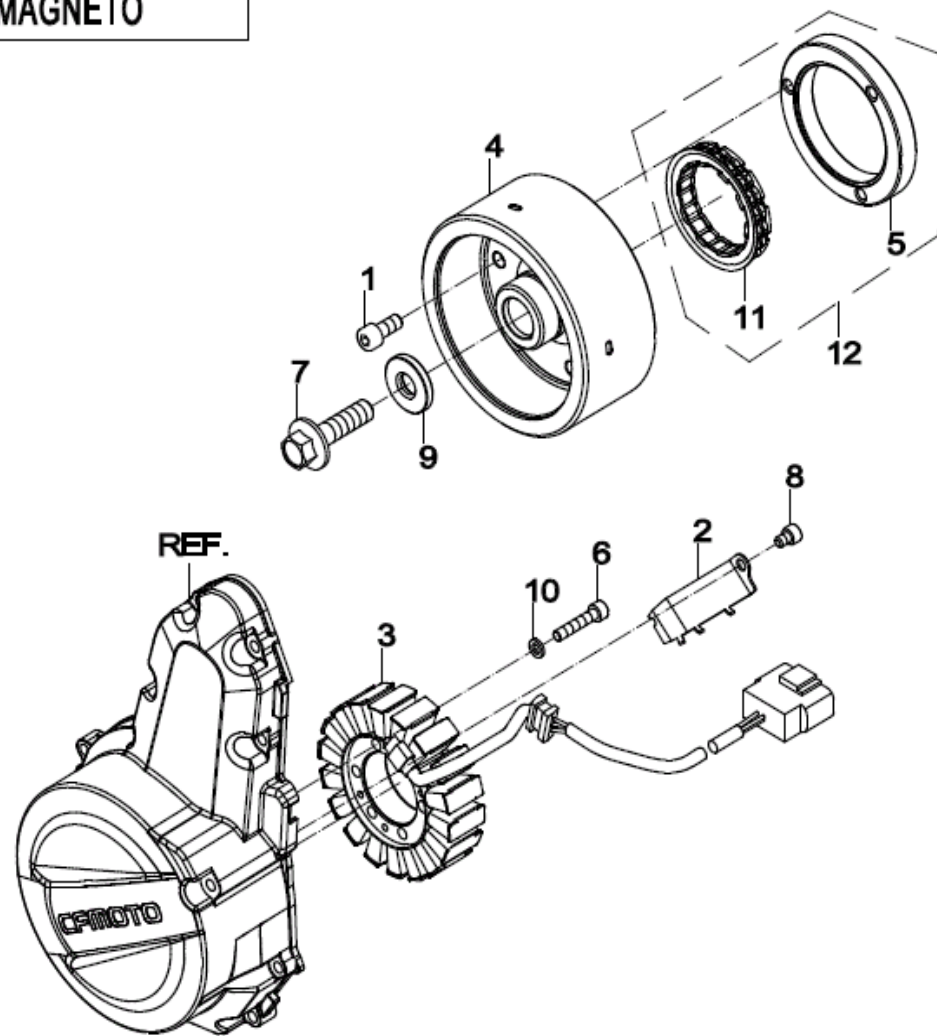
配气传动分总成/CAMSHAFT



E02-5 配气传动分总成 CAMSHAFT

Item No.	Parts Number	Parts Name(EN)	Parts Name(CN)	Qty	Specification	Effective
01	0700-024002-0001	TIMING SPROCKET	正时链轮	2	1-3 GEAR	
02	0MQ0-024400	TENSIONER ASSY	张紧器组件	1		
03	0700-022017	CHAIN GUIDE BLOCK	导链块	1		
04	0MQ0-024006	CHAIN GUIDE	链条导板	1		
05	0MQ0-024300	TENSION PLATE ASSY	张紧板组件	1		
06	0700-024500	CAMSHAFT, EXHAUST	排气凸轮轴组件	1		
07	0HU0-024400	CAMSHAFT, AIR INLET	进气凸轮轴组件	1		
08	30004-060010150	BOLT M6x10	螺栓	4	M6x10	
09	C3H0-023006	WASHER	垫圈	1	16x22x1.5	
10	0700-024200-00030	TIMING CHAIN	正时链条组件	1		
11	0MQ0-024001	SCREW PLUG M16x14	螺塞	1		
12	0700-024003	RETAINER	止动挡片	2		
13	0700-024008-00001	PIN SHAFT	螺纹销轴	1		
14	30406-00501	ROLLER NEEDLE P5x7.8	滚针P5X7.8	2	P5X7.8	
15	0A70-012007	PLUG	堵头	1		

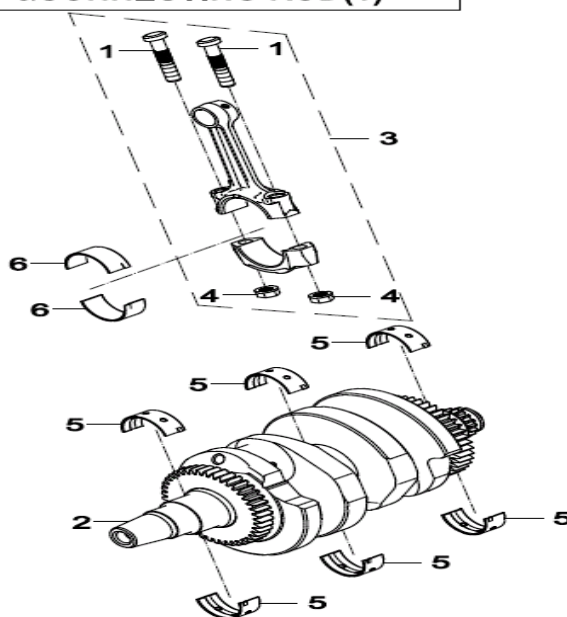
E03 磁电机总成/MAGNETO



E03 磁电机总成 MAGNETO

Item No.	Parts Number	Parts Name(EN)	Parts Name(CN)	Qty	Specification	Effective
01	0110-090009-00002	INNER HEX SCREW	内六角圆柱头螺钉	3		
02	0700-030001-00001	PLATE	压线板	1		
03	0700-032000-10000	MAGNETO STATOR	磁电机定子组合	1	SUMITOMO PLUG	
04	0700-031000	MAGNETO ROTOR	磁电机转子组合	1		
05	0700-091001	COUPLING	单向器座	1		
06	0060-030003-00001	INNER HEX BOLT	内六角圆柱头螺栓	3		
07	0700-040001-20000	BOLT M12x1.25x45	螺栓M12×1.25×45	1		
08	0010-090006-00001	SCREW	螺钉M6×12	1		
09	0700-040002-00001	WASHER	垫圈	1	12.5x33x5	
10	0060-030004-0030	WASHER 6x10.4x1.6	垫圈	3	6x10.4x1.6	
11	0700-091200	CLUTCH, ONE-WAY	单向器组件	1		
12	0700-091000	OVERRIDING CLUTCH	超越离合器组件	1		

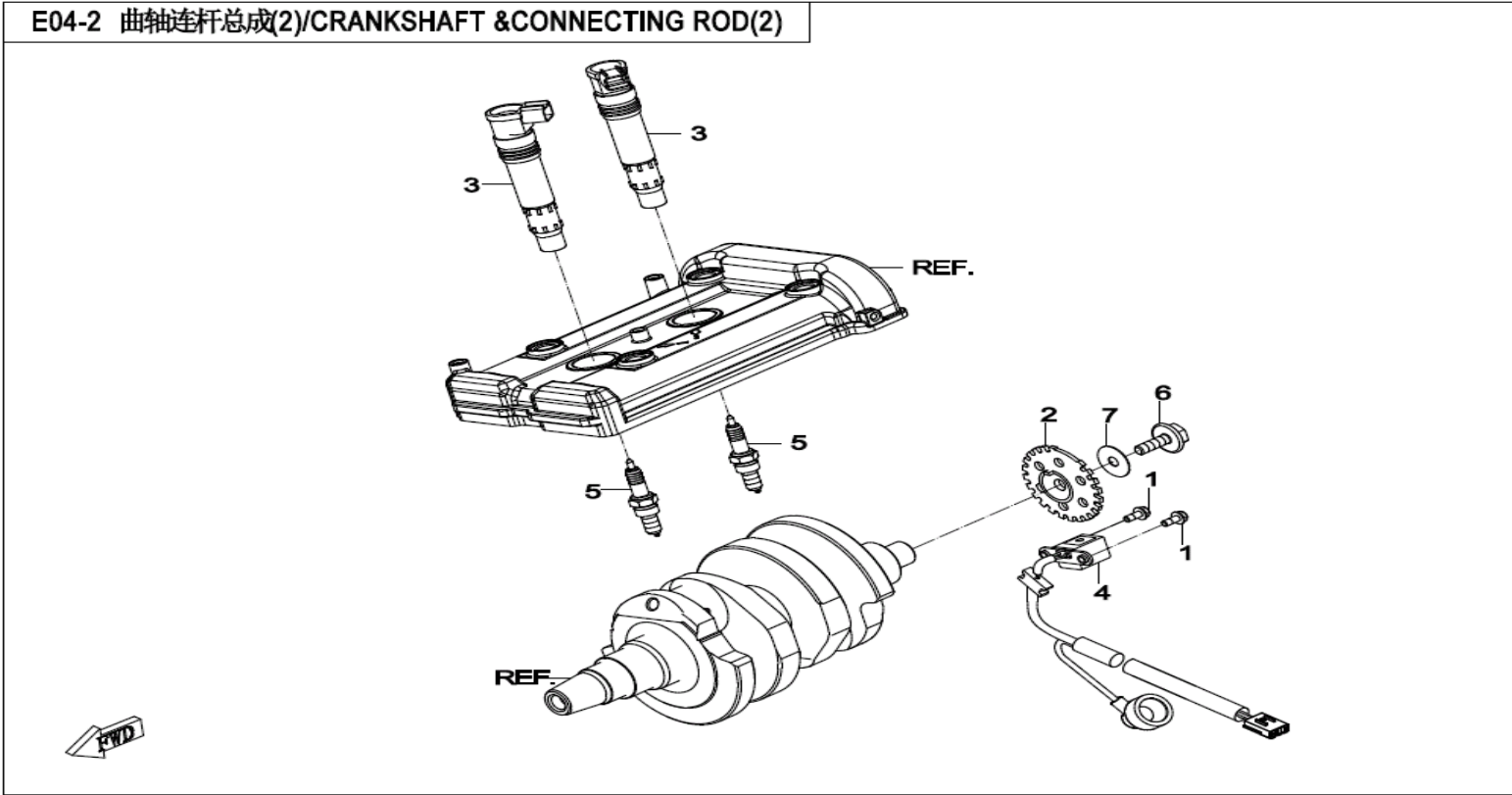
E04-1 曲轴连杆总成(1)/CRANKSHAFT &CONNECTING ROD(1)



E04-1 曲轴连杆总成 (1) CRANKSHAFT &CONNECTING ROD (1)

Item No.	Parts Number	Parts Name(EN)	Parts Name(CN)	Qty	Specification	Effective
01	0HU0-041203	BOLT, CONNECTING ROD	连杆螺栓	4		
02	0HU0-041100	CRANKSHAFT ASSY	曲轴组件	1		
03	0HU0-041200-00021	CONNECTING ROD ASSY	连杆组件	2		
04	0700-041204	NUT, CONNECTING ROD	连杆螺母	4		
05	0700-011003-00011	MAIN PLAIN BEARING	主轴瓦	6	I	
05	0700-011003-00021	MAIN PLAIN BEARING	主轴瓦	6	II	
06	0700-041001-30020	PLAIN BEARING, CONNECTING ROD	连杆轴瓦	4	BLUE_1.488~1.491	2019/7/6
06	0700-041001-30010	PLAIN BEARING, CONNECTING ROD	连杆轴瓦	4	BLACK_1.485~1.488	2019/7/6
06	0700-041001-30030	PLAIN BEARING, CONNECTING ROD	连杆轴瓦	4	GREEN_1.491~1.494	2019/7/6
06	0700-041001-30040	PLAIN BEARING, CONNECTING ROD	连杆轴瓦	4	YELLOW_1.494~1.497	2019/7/6
06	0700-041001-30050	PLAIN BEARING, CONNECTING ROD	连杆轴瓦	4	RED_1.497~1.500	2019/7/6

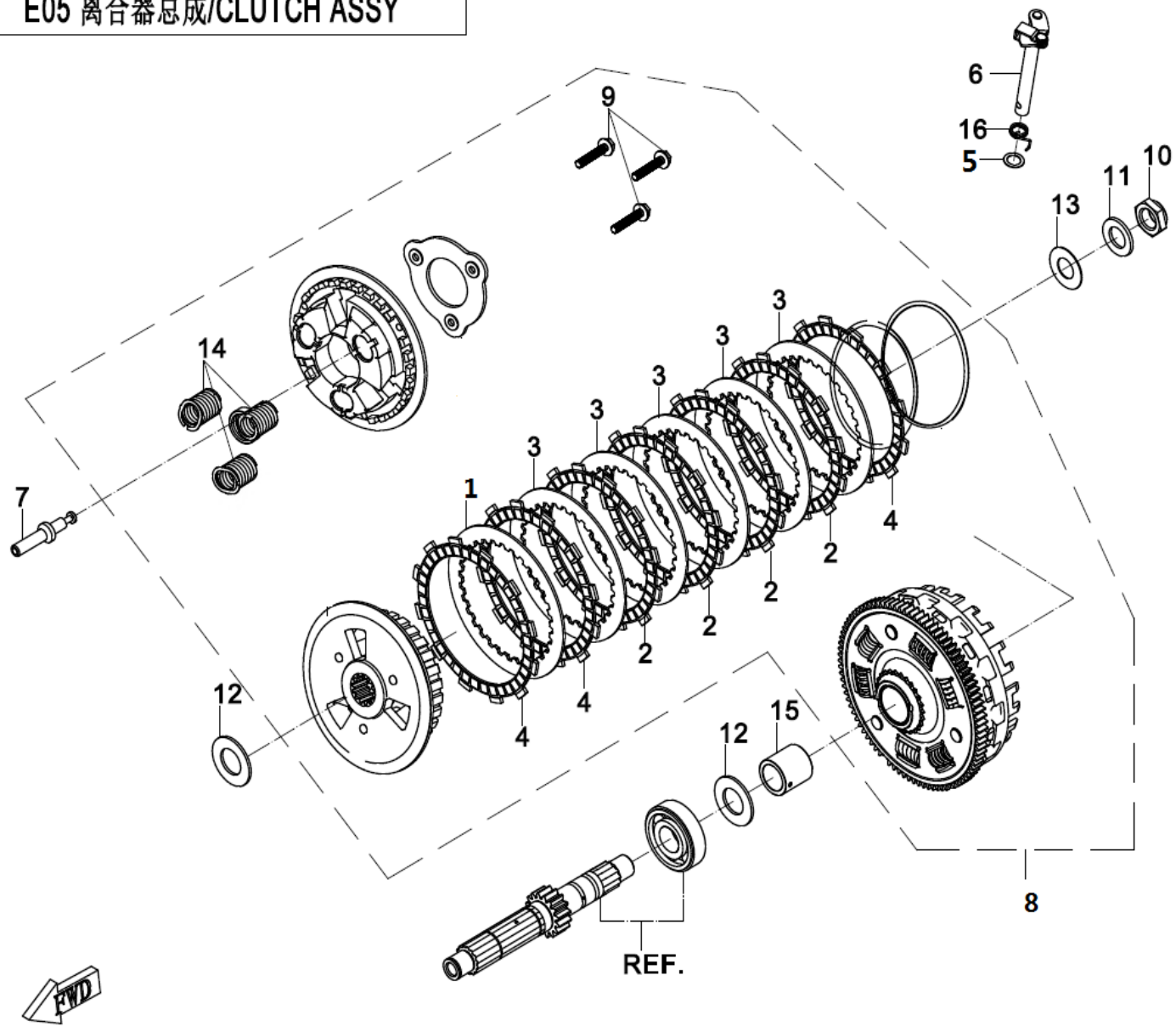
E04-2 曲轴连杆总成(2)/CRANKSHAFT &CONNECTING ROD(2)



E04-2 曲轴连杆总成 (2) CRANKSHAFT &CONNECTING ROD (2)

Item No.	Parts Number	Parts Name(EN)	Parts Name(CN)	Qty	Specification	Effective
01	0700-012013-00002	BOLT	螺栓	2		
02	0700-040005-10000	PULSING ROTOR, CRANKCASE	曲轴转速触发盘	1		2019/7/12
03	0700-178000	IGNITION COIL	点火线圈	2		2018/11/10
04	0700-012400-10000	TRIGGER	触发器组件	1		2021/07/05
05	0700-170200	SPARK PLUG	火花塞组件	2		
06	0700-040003-00001	BOLT M8x23	螺栓M8×23	1		
07	0700-040004	WASHER	垫圈	1	8.5x28x0.8	

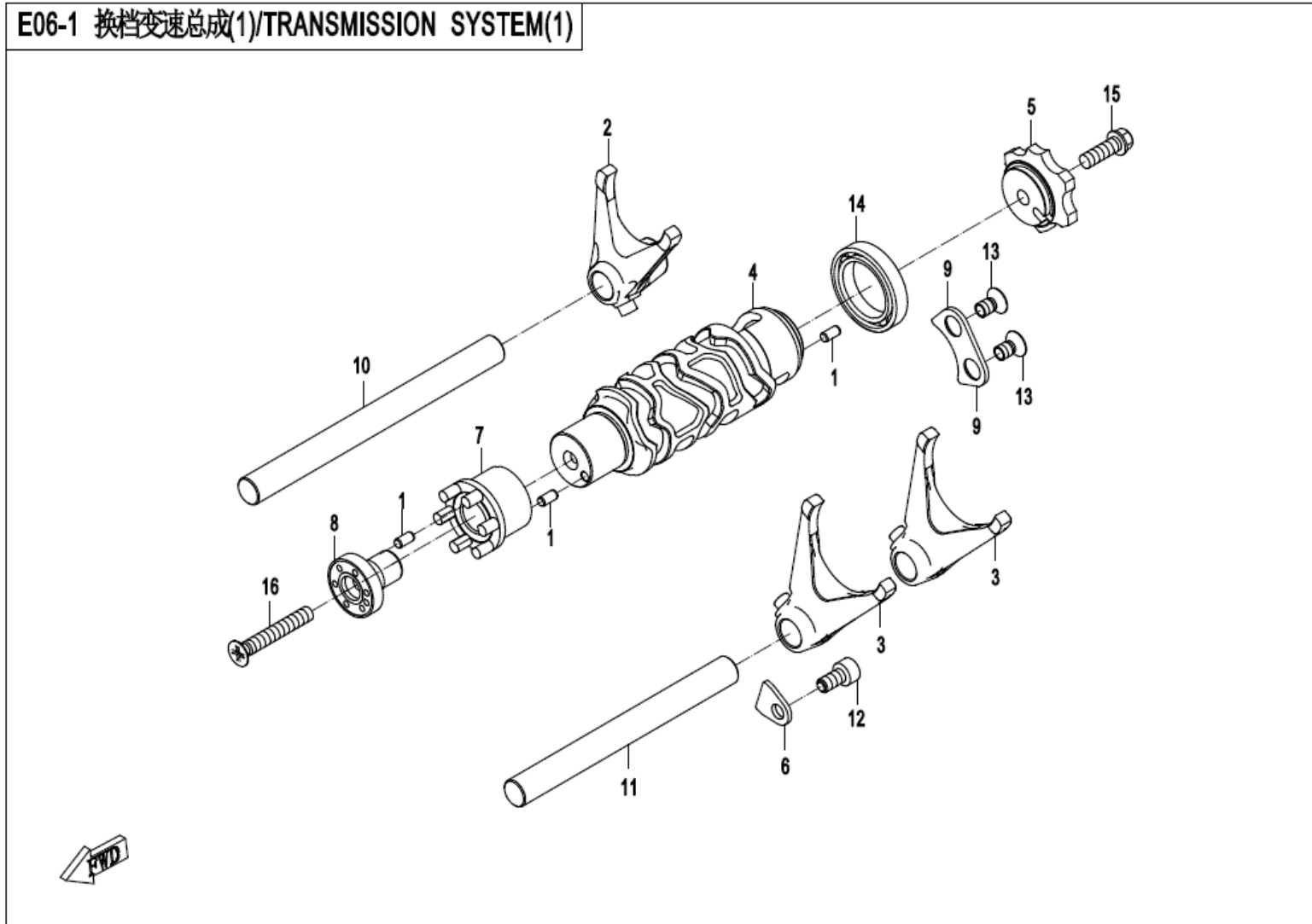
E05 离合器总成/CLUTCH ASSY



E05 离合器总成(滑动离合器) CLUTCH (SLIPPING CLUTCH)

Item No.	Parts Number	Parts Name(EN)	Parts Name(CN)	Qty	Specification	Effective
01	0HU0-051003	STEEL PLATE B	钢片B	1		
02	0HU0-051300	FRICITION DISC B	摩擦片组件B	4		
03	0HU0-051002	STEEL PLATE A	钢片A	5		
04	0HU0-051200	FRICITION DISC A	摩擦片组件A	3		
05	0700-013007-10000	WASHER 12.5x18.5x0.6	垫圈	1		
06	0HU0-013200-2BP00	CLUTCH CONTROL SHAFT ASSY	离合控制轴组件	1		2021/7/28
07	0HU0-050004	TIE-ROD	拉杆	1		
08	0HU0-051000-10010	CLUTCH SUB ASSY	离合器分总成	1	MARK A_MATCH PRIMARY DRIVEN GEAR	
09	0HU0-051006	BOLT M6x35	螺栓	3		
10	0700-061002-00002	NUT	螺母M20×1.5	1		
11	0700-061003	CIRCLIP 20	弹性垫圈20	1	20	
12	0700-061005	WASHER	垫圈	2	25.5x47x2.5	
13	0A70-011007	WASHER 20x40x1	垫圈	1	20x40x1	
14	0HU0-051004	SPEING	压簧	3		
15	0700-061004-00010	SHAFT SLEEVE, CLUTCH	离合器轴套	1		
16	0HU0-013006	SPRING, CLUTCH CONTROL LEVER	离合器操纵杆扭簧	1		

E06-1 换挡变速总成(1)/TRANSMISSION SYSTEM(1)

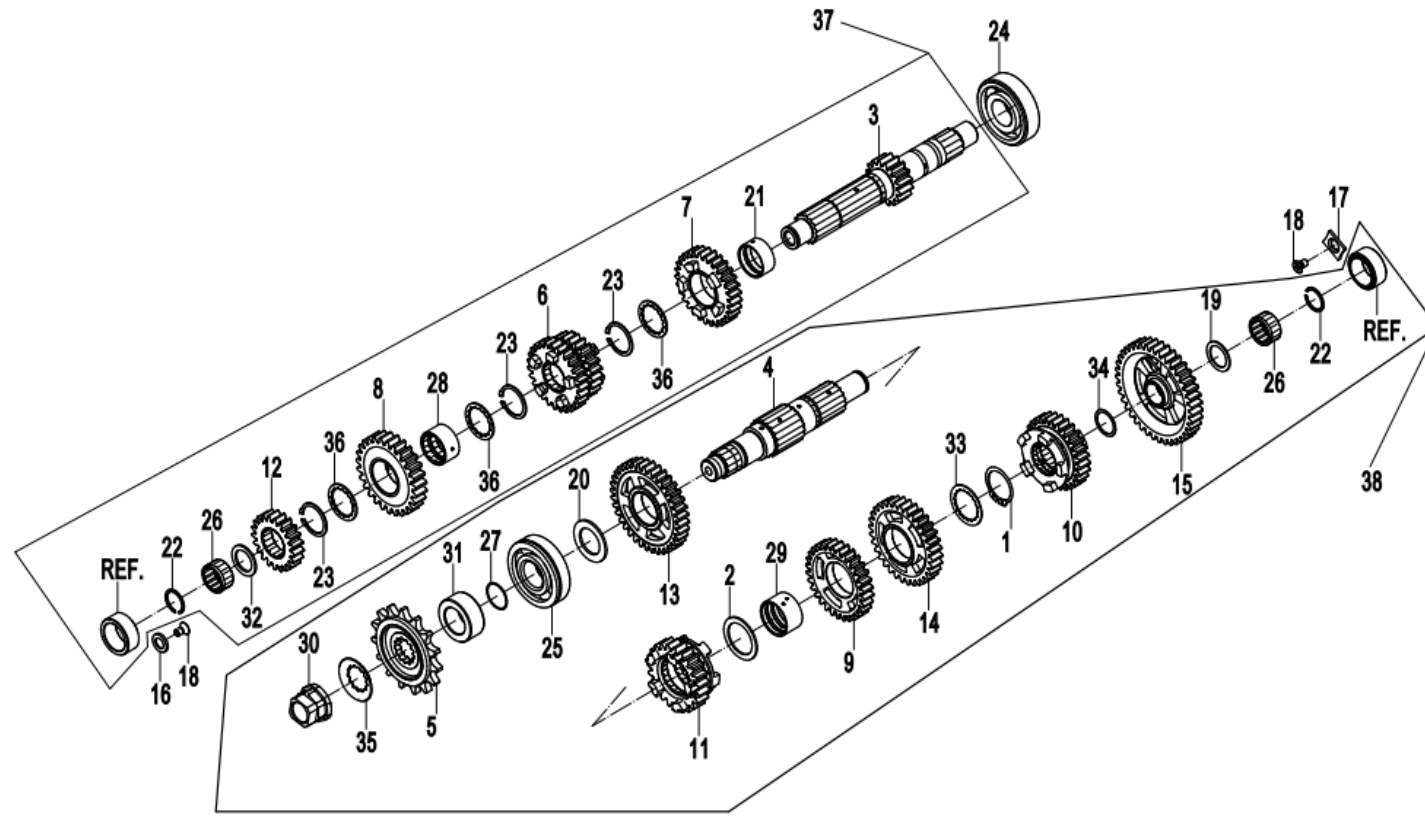


E06-1 换挡变速总成 (1) TRANSMISSION SYSTEM (1)

Item No.	Parts Number	Parts Name(EN)	Parts Name(CN)	Qty	Specification	Effective
01	30406-00401	ROLLER NEEDLE P4x7.8	滚针P4×7.8	3	P4x7.8	
02	0700-060004-1000	FORK, MAIN SHAFT	主轴拨叉	1		
03	0700-060002-1000	SHIFT FORK, COUNTERSHAFT	副轴拨叉	2		

04	0700-063001-10001	SHIFT DRUM	变档鼓	1		2020/12/18
05	0700-063002	CAM, GEARSHIFT DRUM	定位星轮	1		
06	0700-066008	PLATE 2	挡板2	1		
07	0700-063003-00001	SHIFT LOCATION DRUM	拨轮	1		
08	0700-063100-30001	GEAR SENSOR	档位传感器	1		
09	0700-066009	PLATE 3	挡板3	1		
10	0700-060003	FORK SHAFT, MAIN SHAFT	主轴拨叉轴	1		
11	0700-060001	SHIFT FORK, COUNTERSHAFT	副轴拨叉轴	1		
12	0010-090006-00001	SCREW	螺钉M6×12	1		
13	0700-066010-00001	SCREW, BEARING PLATE	轴承压板螺钉	2		
14	30400-02504	BEARING	深沟球轴承	1		
15	0010-023008-00001	BOLT	螺栓M6×18	1		
16	30128-060040700	SCREW M6x40-H	螺钉	1	M6x40-H	

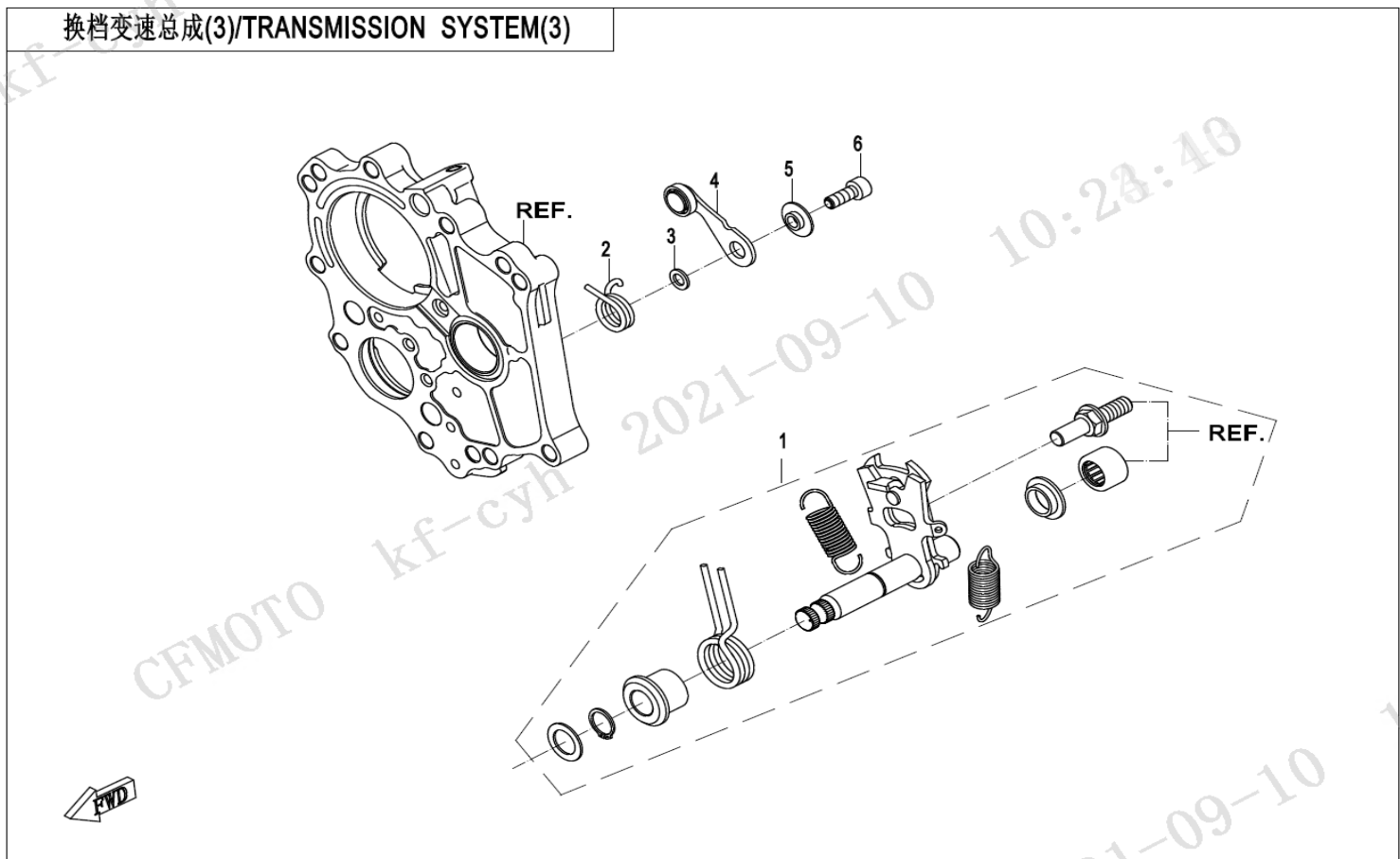
E06-2 换挡变速总成(2)/TRANSMISSION SYSTEM(2)



E06-2 换挡变速总成 (2) TRANSMISSION SYSTEM (2)

Item No.	Parts Number	Parts Name(EN)	Parts Name(CN)	Qty	Specification	Effective
01	30801-03005	CIRCLIP30 S=1.5	挡圈30S=1.5	1	30	
02	0700-062009	WASHER 30x38.5x1.5	垫圈	1	30x38.5x1.5	
03	0HU0-061001-10000	MAIN SHAFT	主轴	1		
04	0HU0-062001	COUNTER SHAFT	副轴	1		
05	0700-062030	SPROCKET, OUTPUT	输出链轮组件	1		
06	0700-061011-1000	DRIVE GEAR, 3RD AND 4TH SPEED	主动齿轮_3-4档	1	1-3 GEAR	
07	0HU0-061007	DRIVEN GEAR	主动齿轮(五档)	1	5TH GEAR	
08	0HU0-061013	DRIVE GEAR	主动齿轮 (6档)	1		
09	0HU0-062008	DRIVEN GEAR	从动齿轮 (4档)	1		
10	0HU0-062004	DRIVEN GEAR	从动齿轮(五档)	1	5TH GEAR	
11	0700-062011-1000	DRIVEN GEAR, 6TH SPEED	从动齿轮6_档	1	23	
12	0HU0-061014	DRIVE GEAR	主动齿轮 (2档)	1		
13	0HU0-062200	DRIVEN GEAR SUB PART	从动齿轮 (2档) 分部件	1		
14	0HU0-062006	DRIVEN GEAR	从动齿轮 (3档)	1		
15	0HU0-062100	DRIVEN GEAR SUB PART	从动齿轮 (1档) 分部件	1		
16	0700-011108	PRESS TOOL, SHAFT SLEEVE	轴套压板	1		
17	0HU0-066003	GUARD 1	挡板1	1		
18	0180-014009-00001	SCREW, PRESS PLATE	油封压板螺钉	2		
19	0HU0-062002	WASHER 20.5x32x1.2	垫片	1		
20	0700-062012	WASHER 25x39x2	垫圈	1	25x39x2	
21	0700-061006	BUSHING 28x14	轴承套	1		
22	0700-061016	CIRCLIPS FOR SHAFT20	轴用挡圈20	2	20	
23	0700-061009	CIRCLIPS FOR SHAFT28	轴用挡圈28	3	28	
24	0700-066002	BEARING 25x62x17	轴承	1	25x62x17	
25	0700-010100	BEARING 25x62x17, COUNTERSHAFT	副轴轴承	1	25x62x17	
26	0HU0-061100	NEEDLE BEARING K20x28x16	滚针轴承	2		
27	0800-062205	O-SEAL RING 25x2	O形密封圈	1	25x2	
28	0700-061012	BUSHING 28x14.7	轴承套28x14.7	1		
29	0700-062007	BUSHING 29.65	轴承套	1		
30	0700-062016	NUT, COUNTER PULSE	记数脉冲螺母	1		
31	0700-062013-20000	COLLAR, COUNTERSHAFT	副轴轴套	1	ONLY FOR THE AMBASSADOR CAR	
32	0HU0-061002-10000	WASHER 20.5x32x1.5	垫片	1	20.5x32x1.5	
33	0700-062005	WASHER	花键垫圈	1		

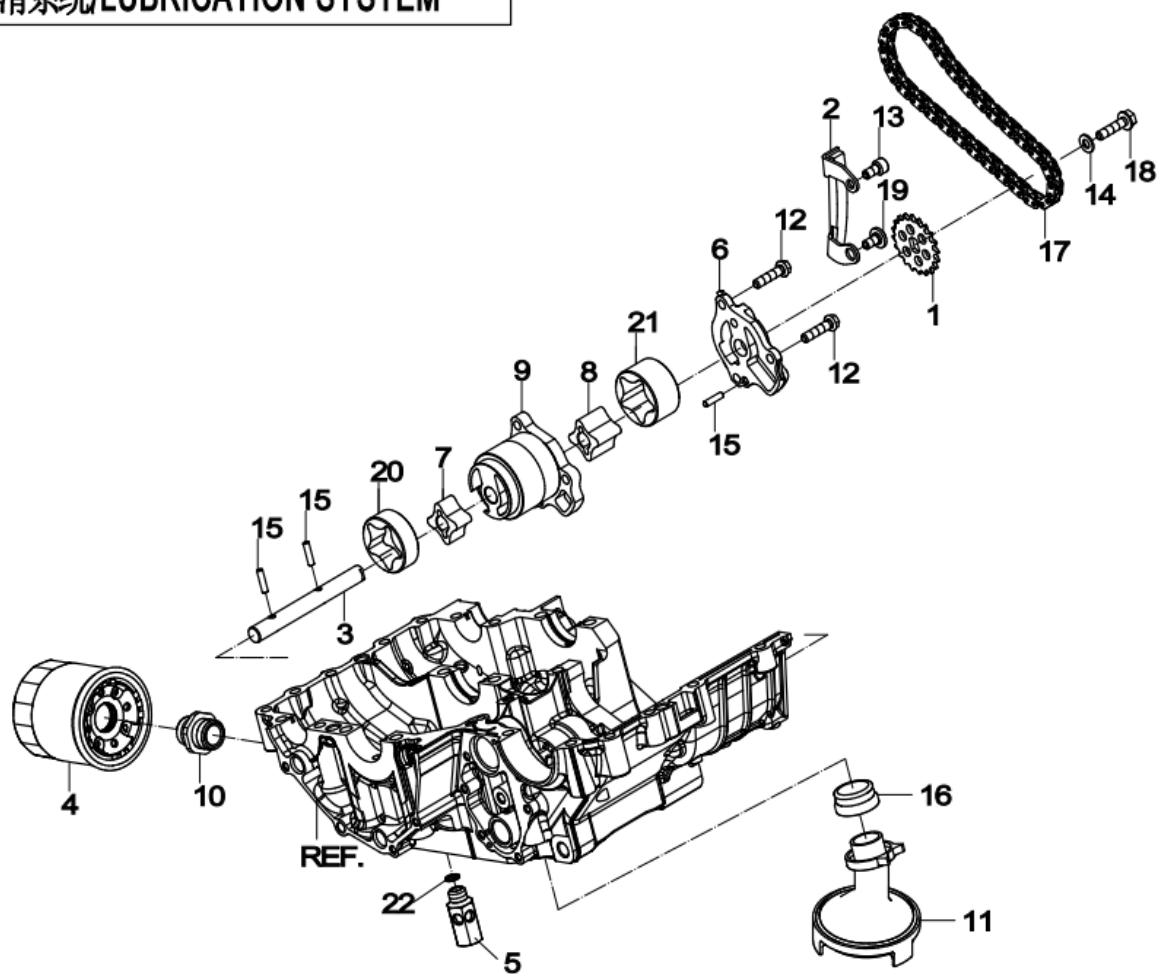
Item No.	Parts Number	Parts Name(EN)	Parts Name(CN)	Qty	Specification	Effective
34	0700-062003	WASHER 20.4x25x0.5	垫圈	1	20.4x25x0.5	
35	0700-062015	WASHER	防松垫圈	1		
36	0700-061008	WASHER	花键垫圈	3		
37	0HU0-061000-10001	MAIN SHAFT	主轴部件	1		2021/9/25
38	0HU0-062000-10001	COUNTERSHAFT	副轴部件	1		2021/9/30



E06-3-V2 换档变速总成 (3) TRANSMISSION SYSTEM (3)

Item No.	Parts Number	Parts Name(EN)	Parts Name(CN)	Qty	Specification	Effective
01	0700-065100-20000	GEARSHIFT SHAFT SUB ASSY	换档轴分部件	1		20218/27
02	0700-064002	SPRING, SWING ARM, GEARSHIFT	换档定位摇臂扭簧	1		
03	0700-064001	WASHER	垫圈	1	6.3x16.3x1.2	
04	0700-064100	SWING ARM, GEARSHIFT	换档定位摇臂分部件	1		
05	0700-064003	SLEEVE, SWING ARM, GEARSHIFT	换档定位摇臂轴套	1		
06	30102-060016810	SCREW	螺钉M6×16	1		

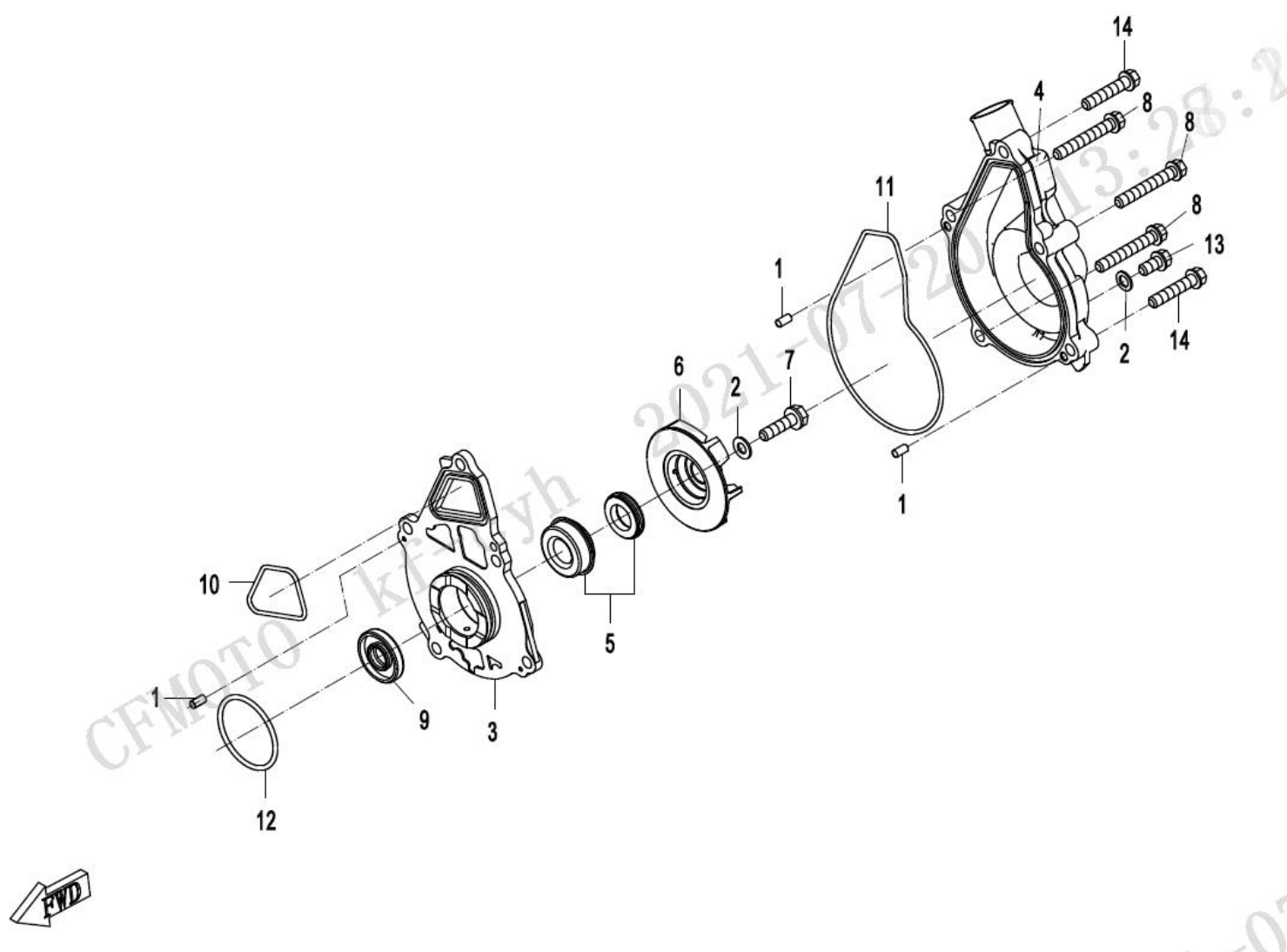
E07 润滑系统/LUBRICATION SYSTEM



E07 润滑系统 LUBRICATION SYSTEM

Item No.	Parts Number	Parts Name(EN)	Parts Name(CN)	Qty	Specification	Effective
01	0700-070004	SPROCKET, OIL PUMP	机油泵链轮	1	Huzhou Shuangshi	
02	0700-070400	CHAIN GUIDE, OIL PUMP	机油泵链条导板组件	1		
03	0700-071001	SHAFT, OIL PUMP	机油泵轴	1		
04	0MQ0-070200	OIL FILTER ASSY	机油滤清器总成	1		2021/7/7
05	0700-012600-1000	RELIEF VALVE, OIL	机油限压阀组件	1		
06	0700-071006-00001	COVER, OIL PUMP	机油泵盖	1		
07	0700-071004	INNER ROTOR, MAIN OIL PUMP	主机油泵内转子	1		
08	0700-071008	INNER ROTOR, AUXILIARY OIL PUMP	副机油泵内转子	1		
09	0700-071002	OIL PUMP	机油泵体	1		
10	0700-012106-00002	BOLT, OIL FILTER	机油滤安装螺栓	1		
11	0700-070110	OIL SUCTION PAN ASSY	吸油盘合件	1		
12	0010-021017-0010	BOLT M6x25	螺栓	3	M6x25	
13	0010-090006-00001	SCREW	螺钉M6×12	1		
14	0700-064001	WASHER	垫圈	1	6.3x16.3x1.2	
15	30406-00400	ROLLER NEEDLE P4x15.8	滚针	3	P4x15.8	
16	0700-070101	GASKET, OIL SUCTION PAN	吸油盘密封圈	1		
17	0700-070500	CHAIN, OIL PUMP	机油泵链条组件	1	Huzhou Shuangshi	
18	0700-070005	BOLT M6x20	螺栓	1	M6x20, LEFT-HAND THREAD	
19	0700-070002-00001	SCREW M6x9	螺钉M6×9	1		
20	0700-071003	OUTER ROTOR, MAIN OIL PUMP	主机油泵外转子	1		
21	0700-071007	OUTER ROTOR, AUXILIARY OIL PUMP	副机油泵外转子	1		
22	0700-012701	O-SEAL RING	O型密封圈10×2	1	10x2	

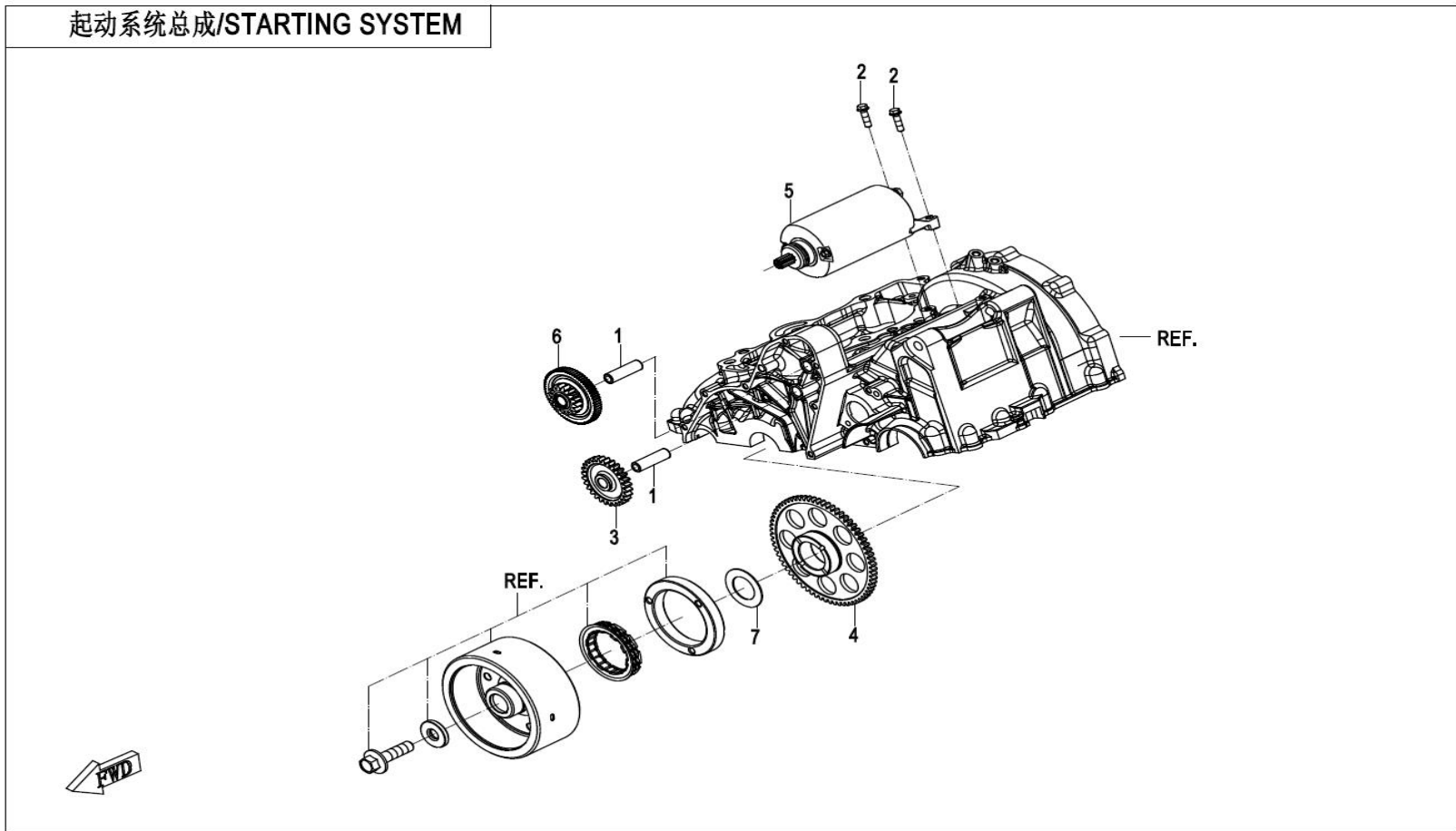
水泵总成/WATER PUMP



E08 水泵总成 WATER PUMP

Item No.	Parts Number	Parts Name(EN)	Parts Name(CN)	Qty	Specification	Effective
01	30406-00401	ROLLER NEEDLE P4x7.8	滚针P4×7.8	3	P4x7.8	
02	0010-080011	WASHER 6x12x1	垫圈	2	6x12x1	
03	0700-081001-1B200	WATER PUMP	水泵体	1		
04	0700-080001-1BP00	WATER PUMP COVER	水泵盖	1	MAUD PSIRIT BLACK	
05	0700-081200	WATER SEAL ASSY	水封组件	1		2019/7/19
06	0700-080003-00001	IMPELLER, WATER PUMP	水泵叶轮	1		2020/4/27
07	0010-080013-0010	BOLT M6x22	螺栓	1	M6x22	2021/1/7
08	0010-013009-0010	BOLT M6x40	螺栓	3	M6x40	
09	0700-081100-10000	OIL SEAL	油封	1		2021/7/13
10	0700-081002	SEAL RING, WATER PUMP HOUSING	水泵体密封圈	1		
11	0700-080002	SEAL RING, WATER PUMP COVER	水泵盖密封圈	1		
12	0700-081004	O-RING 37x2.5	O型密封圈37X2.5	1		
13	0010-021019-0010	BOLT M6x12	螺栓	1	M6x12	
14	0010-060012-0010	BOLT M6x30	螺栓	2	M6x30	

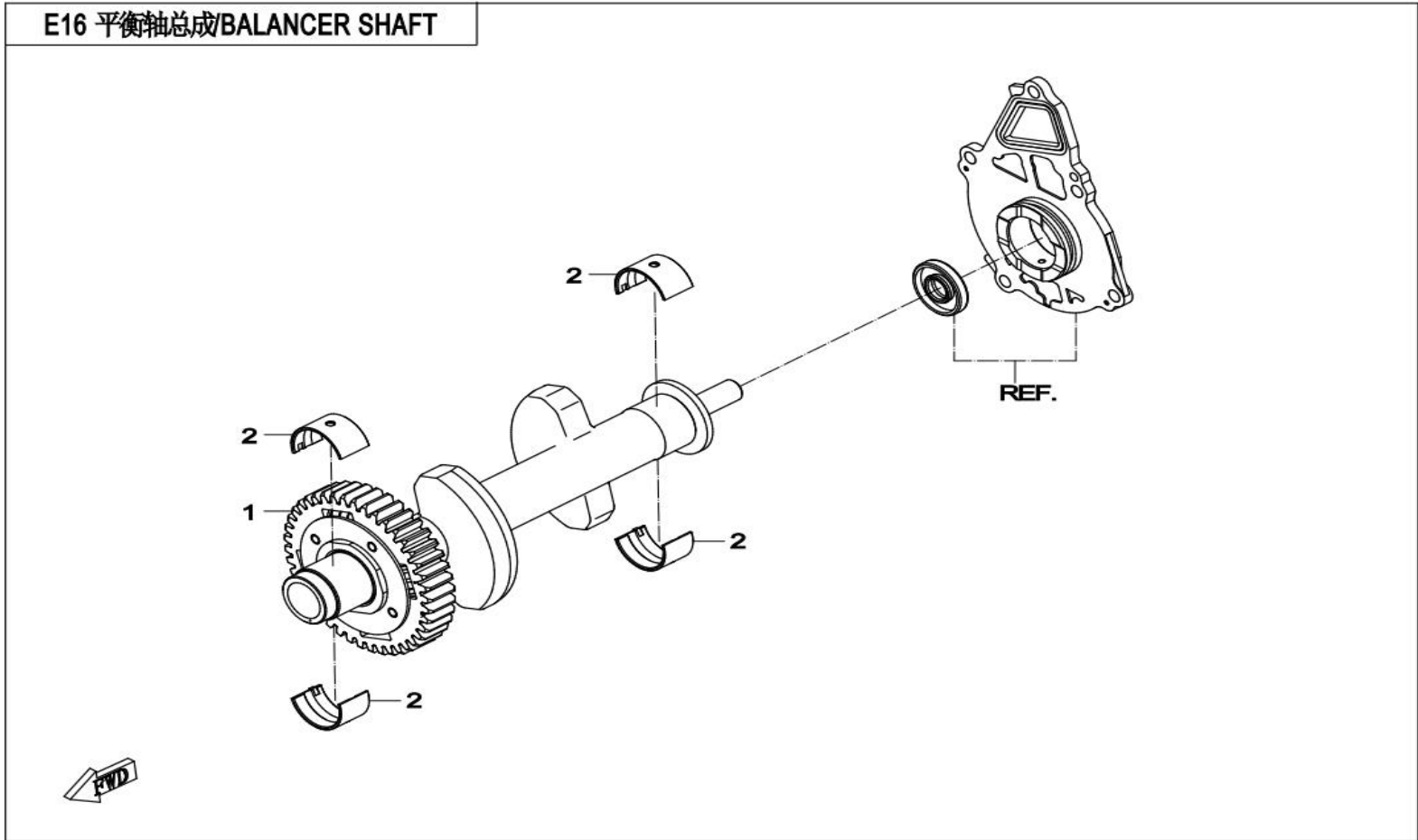
起动系统总成/STARTING SYSTEM



E09 启动系统 STARTING SYSTEM

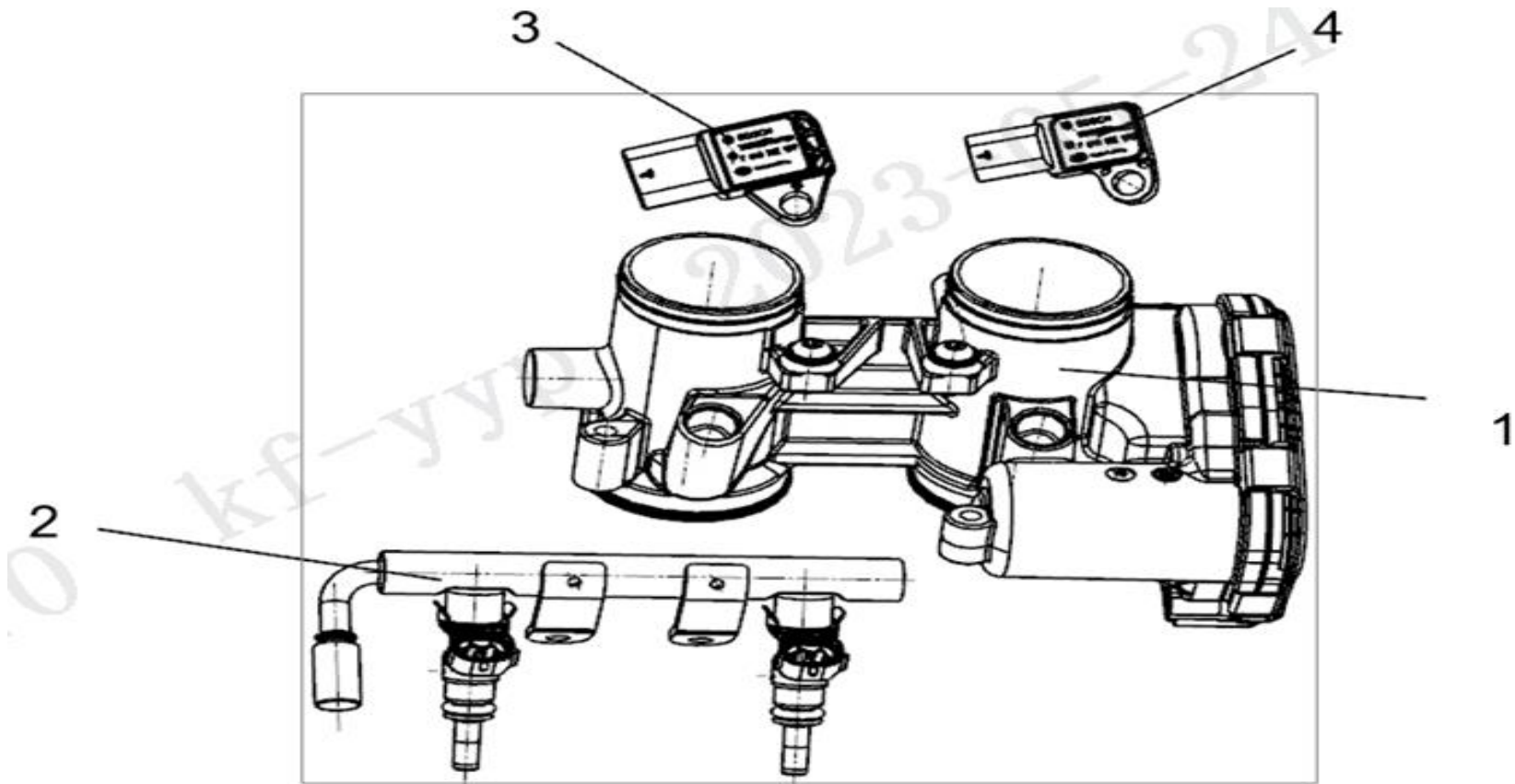
Item No.	Parts Number	Parts Name(EN)	Parts Name(CN)	Qty	Specification	Effective
01	0700-090003	SHAFT, MIDDLE GEAR	中间齿轮轴	2		
02	0010-080013-0010	BOLT M6x22	螺栓	2	M6x22	2021/1/7
03	0700-090002	STARTING GEAR	起动中间齿轮	1		
04	0700-094000-10001	GEAR ASSY, STARTING MOTOR	起动大齿轮组件	1		2020/9/5
05	0HU0-093000	START MOTOR	起动机组件	1		
06	0700-090004	DUAL GEAR	双联齿轮	1		
07	0700-090001	WASHER	垫圈	1	29.2x48x1.2	

E16 平衡轴总成/BALANCER SHAFT



E16 平衡轴总成 BALANCER SHAFT

Item No.	Parts Number	Parts Name(EN)	Parts Name(CN)	Qty	Specification	Effective
01	0HU0-160000-20010	BALANCER SHAFT ASSY	平衡轴总成	1	MARK A	
01	0HU0-160000-20020	BALANCER SHAFT ASSY	平衡轴总成	1	MARK B	
02	0700-011004-00011	PALIN BEARING, BALANCER SHAFT	平衡轴瓦	4		2021/2/27
02	0700-011004-00021	PALIN BEARING, BALANCER SHAFT	平衡轴瓦	4		



E17 节气门阀体和喷油器 THROTTLE&INJECTOR

Item No.	Parts Number	Parts Name(EN)	Parts Name(CN)	Qty	Specification	Effective
1	0HU0-173000	THROTTLE BODY ASSY	节气门体总成	1		
2	0HU0-171000	OIL TRAIL ASSY	油轨总成	1		
3	0HU0-173100	AIR INTAKE PRESSURE TEMPERATURE SENSOR	进气压力温度传感器	1		
4	0HU0-173200	AIR INTAKE PRESSURE SENSOR	进气压力传感器	1		